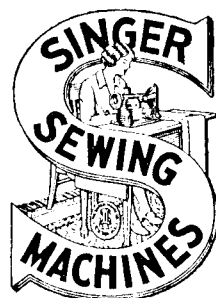


Form 18421
February, 1930
PRINTED IN U. S. A.

LIST OF PARTS



MACHINE No. 147-35

THE SINGER MANUFACTURING COMPANY

COPYRIGHT, U. S. A., 1925, 1927, 1928 AND 1930
BY THE SINGER MANUFACTURING CO.
ALL RIGHTS RESERVED FOR ALL COUNTRIES

INDEX

| | PAGE |
|---------------------------------|------|
| ACCESSORIES | 17 |
| BELT GUARD | 17 |
| BENCH STAND | 17 |
| FOOT LIFTER PARTS | 18 |
| KNEE LIFTER PARTS | 18 |
| MACHINE BASE | 18 |
| MACHINE NO. 147-35 | 7 |
| NUMERICAL LIST OF PARTS | 21 |
| OBSOLETE PARTS | 20 |
| TAPE HOLDER (5 IN. DIAM.) | 19 |
| THREAD UNWINDER | 19 |

From the library of: Diamond Needle Corp

INSTRUCTIONS FOR ORDERING

In ordering from this list, use **ONLY** the part NUMBER in the **FIRST** column.

The number stamped on a Sewing Machine part is in every case the number of the single part only.

Every combination of parts sent out as such has its specific number, which, although not stamped on the parts, must be used when ordering the combination.

Each number always indicates the **SAME PART** in whatever list it appears, or for whatever machine.

The letters after some of the numbers indicate the style of finish only, as follows:

- A—Hardened, Polished, Nickel Plated and Buffed
- B—Polished, Nickel Plated and Buffed
- C—Hardened Only
- D—Polished Only
- E—Soft, Not Polished
- F—Hardened and Polished
- H—Blued
- J—Nickel Plated Only
- K—Hardened and Nickel Plated
- L—Brass Plated
- M—Oxidized
- N—Japanned, Dull
- P—Japanned, Bright
- R—Merlized
- T—Copper Plated
- T. A.—Hardened, Polished, Copper and Nickel Plated and Buffed
- T. B.—Copper and Nickel Plated and Polished
- T. J.—Copper and Nickel Plated Only
- T. K.—Hardened, Copper and Nickel Plated
- T. M.—Copper Plated and Oxidized
- T. L.—Copper and Brass Plated
- U—Zinc Plated
- V—Silver Plated
- W—Polished and Nickel Plated
- Z—Chromium Plated
- Z. B.—Polished, Nickel Plated, Buffed and Chromium Plated
- Z. J.—Nickel and Chromium Plated

These letters **MUST BE USED** when they appear in the list; and **AFTER** the number **as** in the list.

In this series:

- 1 to 1500 and 50001 to 51500 are Screw Numbers
- 1501 to 1800 and 51501 to 51800 are Nut Numbers
- 1801 to 2000 and 51801 to 52000 are Roller Numbers
- 2001 to 50000 and 52001 and upward are numbers of Machine Parts

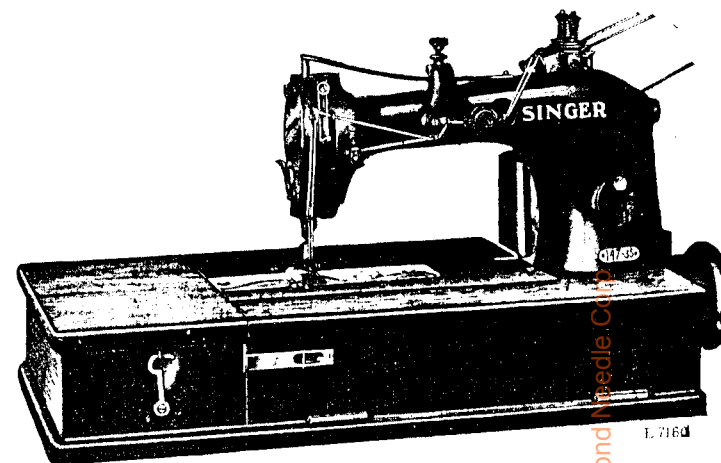
The figures in the second column refer only to the plates, illustrating the parts, and are **NOT TO BE USED** in ordering.

Parts marked with an asterisk (*) are furnished only when repairs are made at factory.

When ordering parts which differ as to **Gauge** (the distance between seams) the Gauge, as well as the **Number must be given** on order.

LIST OF PARTS COMPLETE

FOR



MACHINE No. 147-35

FOR STAYING SHOES. TWO NEEDLES, TWO LOOPERS. TWO
THREAD CHAIN STITCH. GAUGES $\frac{3}{8}$ IN. TO $\frac{3}{4}$ IN.
THREAD NIPPING DEVICE. FOOT LIFTER. SPEED UP TO
3500 ACCORDING TO THE MATERIAL BEING STITCHED.

| NO. | PLATE | NAME |
|--------|-------|---|
| *54182 | --- | Arm, upper and lower (solid) with 9480 and 54034..... |
| 42366 | 8901 | Arm Oil Pad (braided cotton) for oiling Arm Rock Shaft Front Bearing..... |
| 56006 | 8901 | Arm Oil Pad (braided cotton) for oiling Arm Rock Shaft Intermediate Bearing..... |
| 56003 | 8985 | Arm Oil Tube with 52045 for oiling 54326 |
| 52045 | 8901 | " " " Packing (braided cotton) .. |
| 54183 | 8938 | " Rock Shaft..... |
| 54192 | --- | " " " 54183 with 46383, 54004, 54184 and 64255..... |
| 64386 | 8901 | Arm Rock Shaft Bushing (back)..... |
| 446c | 8901 | " " " " " Set Screw |
| 64388 | 8901 | " " " " (intermediate) |
| 423c | 8901 | " " " " " |
| | | Set Screw..... |

| NO. | PLATE | NAME |
|---|-------|--|
| 52045 | 8901 | Arm Rock Shaft Bushing Oil Pad (braided cotton)..... |
| 54004 | 8901 | Arm Rock Shaft Collar with two 453c.... |
| 453c | 8901 | " " " " Set Screw..... |
| 54184 | 8985 | " " " " Crank (back) with two 50083c..... |
| 50083c | 8901 | Arm Rock Shaft Crank (back) Set Screw |
| 64255 | 9882 | " " " " (front) with 453c |
| 2117 | 8901 | " " " " " Pin..... |
| 453c | 8901 | " " " " " Set Screw |
| 54105 | 8901 | " " " " Flanged Bushing (front) |
| 453c | 8901 | " " " " " " " |
| | | Set Screw..... |
| 52045 | 8901 | Arm Rock Shaft Flanged Bushing (front) Oil Pad (braided cotton)..... |
| *54006 | 8938 | Arm Rotary Shaft..... |
| NOTE: When No. 54006 is required for repairs, the Looper Driving Shaft and Feed Lifting Eccentric must be returned to the factory to be adjusted to the new part. | | |
| 54448 | — | Arm Rotary Shaft 54006 with 640b, 54008, 54088, 54113, 54447, 64351 and 64355. |
| 54081 | 8901 | Arm Rotary Shaft Bushing (front)..... |
| 52045 | 8901 | " " " " " Oil Pad (braided cotton)..... |
| 761E | 8901 | Arm Rotary Shaft Bushing (front) Set Screw..... |
| 54007 | 8902 | Arm Rotary Shaft Bushing (intermediate) |
| 54089 | — | " " " " " " 54007 with 64508 and 64805..... |
| 64508 | 8902 | Arm Rotary Shaft Bushing (intermediate) Oil Pad, long (braided cotton)..... |
| 64805 | 8985 | Arm Rotary Shaft Bushing (intermediate) Oil Pad, short (braided cotton)..... |
| 422c | 8901 | Arm Rotary Shaft Bushing (intermediate) Set Screw (long)..... |
| 50084c | 8901 | Arm Rotary Shaft Bushing (intermediate) Set Screw (short)..... |
| 54008 | 8901 | Arm Rotary Shaft Collar with three 1259c |
| 1259c | 8958 | " " " " " Set Screw..... |
| 54009 | 8902 | " " " " " Flanged Bushing..... |
| 54090 | — | " " " " " " 54009 with 58039 and 64805..... |
| 58039 | 8902 | Arm Rotary Shaft Flanged Bushing Oil Pad, long (braided cotton)..... |
| 64805 | 8985 | Arm Rotary Shaft Flanged Bushing Oil Pad, short (braided cotton)..... |

| NO. | PLATE | NAME |
|--------|-------|--|
| 159F | 8901 | Arm Rotary Shaft Flanged Bushing Screw |
| 49013 | 8904 | " " " " Front Bearing Oil Pad (braided cotton)..... |
| 144D | 8901 | Arm Rotary Shaft Screw..... |
| 15196 | 8902 | " Side Cover (back)..... |
| 286D | 8904 | " " " " " Thumb Screw.... |
| 54010 | 8904 | " " " " (front)..... |
| 286D | 8904 | " " " " " Thumb Screw.... |
| 54210 | 9889 | Balance Wheel, 2 $\frac{3}{8}$ in. pulley with two 430c..... |
| 430c | 8904 | Balance Wheel Set Screw..... |
| 54199 | 8938 | Cloth Plate..... |
| 54012 | 8902 | " " Slide (left)..... |
| 38419 | 8904 | " " " " " Spring..... |
| 725J | 8904 | " " " " " Screw.... |
| 54013 | — | Cloth Plate Slide (left) complete, Nos. 38419, 54012 and two 725J..... |
| 54055 | 9889 | Cloth Plate Slide (right) for 54056..... |
| 68191 | — | " " " " " " 68192..... |
| 38419 | 8904 | " " " " " Spring..... |
| 725J | 8904 | " " " " " " Screw.. |
| 54056 | — | Cloth Plate Slide (right) complete for 54200, Nos. 38419, 54055 and two 725J |
| 54200 | — | Cloth Plate complete, for $\frac{3}{8}$ in. to $\frac{1}{4}$ in. gauges, for 68014, Nos. 54013, 54056 and 54199..... |
| 68268 | — | Cloth Plate complete, for $\frac{3}{8}$ in. to $\frac{3}{8}$ in. gauges, for 54338, Nos. 54013, 54199 and 68192..... |
| 1011F | 8904 | Cloth Plate Screw (left)..... |
| 50473F | 8904 | " " " " (right)..... |
| 54104 | 8938 | " " Thread Guard..... |
| 1235D | 8904 | " " " " " Screw..... |
| 54017 | 8902 | Crank Connecting Rod with 6575, 54018, 54218, 54897, 57222 and two each 896E and 1057E..... |
| 54088 | — | Crank Connecting Rod 54017 with 50069c |
| 50069c | 8904 | " " " " Ball Screw Stud |
| 1516E | 8904 | " " " " " " " " Nut..... |
| 64268 | 8904 | Crank Connecting Rod Ball Screw Stud Washer..... |
| *57222 | — | Crank Connecting Rod Cap (lower)..... |
| 896E | 8904 | " " " " " " " Screw |
| *54018 | — | " " " " " " (upper)..... |
| 1057E | 8904 | " " " " " " " Screw |
| 54897 | 8904 | " " " " " Oil Cup..... |

| NO. | PLATE | NAME |
|---|-------|--|
| 54218 | 8904 | Crank Connecting Rod Oil Pad (braided cotton)..... |
| 6575 | 8904 | Crank Connecting Rod Oil Pad Stop Pin |
| 64269 | 9889 | Face Plate..... |
| 46111 | 9888 | " " Pin..... |
| 286D | 8904 | " " Thumb Screw..... |
| 54019 | 8902 | Feed Bar with 50429c and two 453c..... |
| 54020 | 8902 | " " Connection..... |
| 57225 | 8904 | " " Hinge Pin..... |
| 453c | 8901 | " " " " Set Screw..... |
| 54111 | 8902 | " Connecting Rod with 1057E, 54112 and two 896E..... |
| 54113 | --- | Feed Connecting Rod 54111 with 54025.. |
| *54112 | --- | " " " Cap..... |
| 896E | 8904 | " " " " Screw..... |
| 1057E | 8904 | " " " Clamping Screw... |
| 54023 | 9882 | " " " Hinge Pin..... |
| 21506 | 8904 | " " " " Collar with 457c..... |
| 457c | 8904 | Feed Connecting Rod Hinge Pin Collar Set Screw..... |
| 68011 | 9881 | Feed Dog, 16 teeth (16 teeth to the inch) for 68014..... |
| 54337 | 9881 | Feed Dog, 17 teeth (16 teeth to the inch) for 54338..... |
| NOTE: When ordering Nos. 54337 or 68011 state gauge required. | | |
| 157w | 8904 | Feed Dog Screw..... |
| 50429c | 8904 | " " Stop Screw..... |
| *54024 | --- | Feed Eccentric..... |
| *23729 | --- | " " Body..... |
| 51061c | 8958 | " " " Set Screw..... |
| 7071 | 8904 | " " Clamping Washer..... |
| 217D | 8904 | " " " " Screw... |
| 54025 | 8985 | Feed Eccentric (adjustable) complete, Nos. 217D, 1103c, 7071, 23729, 54024 and two 51061c..... |
| 1103c | 8904 | Feed Regulating Screw..... |
| 54026 | 9873 | " Rocking Frame with two 453c..... |
| 54077 | --- | " " " 54026 with 21506, 54019, 54020, 54023 and 57225..... |
| 57234 | 9882 | Feed Rocking Frame Hinge Pin..... |
| 57235 | 8985 | " " " " " Bushing |
| 453c | 8901 | " " " " " " Set Screw..... |
| 453c | 8901 | Feed Rocking Frame Hinge Pin Set Screw |

| NO. | PLATE | NAME |
|--|-------|---|
| 54106 | 9883 | Looper (back) closed eye..... |
| NOTE: When ordering No. 54106, state gauge of machine for which required. | | |
| 1147c | 9883 | Looper (back) Set Screw..... |
| 54107 | 9883 | Looper (front) closed eye..... |
| NOTE: When ordering No. 54107, state gauge of machine for which required. | | |
| 1120c | 8958 | Looper (front) Set Screw..... |
| 54027 | 9883 | " Carrier with two 171D..... |
| 171D | 8958 | " " Adjusting Screw..... |
| 54227 | 9883 | " " Connection..... |
| 54228 | 9883 | " " " Shaft..... |
| 54229 | 9883 | " " " " Bushing |
| 446c | 8901 | " " " " " " Set Screw..... |
| 49013 | 8904 | Looper Carrier Connection Shaft Oil Pad (braided cotton)..... |
| 54230 | 9883 | Looper Carrier Driver with 54032 and four 175E..... |
| *54032 | --- | Looper Carrier Driver Cap..... |
| 175E | 8958 | " " " " " Screw..... |
| *54440 | 8990 | " Driving Shaft and Feed Lifting Eccentric with 227D and two 64315..... |
| NOTE: When No. 54440 is required for repairs, the Arm Rotary Shaft must be returned to the factory to be adjusted to the new part. | | |
| 54447 | --- | Looper Driving Shaft and Feed Lifting Eccentric 54440 with 54027, 54227, 54228 and 54230..... |
| *54034 | --- | Looper Driving Shaft and Feed Lifting Eccentric Bracket with 761E..... |
| 54080 | 8990 | Looper Driving Shaft and Feed Lifting Eccentric Bracket Bushing..... |
| 761E | 8901 | Looper Driving Shaft and Feed Lifting Eccentric Bracket Bushing Set Screw |
| 948D | 8958 | Looper Driving Shaft and Feed Lifting Eccentric Bracket Screw..... |
| 64315 | 8990 | Looper Driving Shaft and Feed Lifting Eccentric Oil Hole Plug..... |
| 227D | 8958 | Looper Driving Shaft and Feed Lifting Eccentric Oil Hole Screw..... |
| 40326 | 8990 | Looper Driving Shaft and Feed Lifting Eccentric Oil Pad (braided cotton).... |
| 640D | 8958 | Looper Driving Shaft and Feed Lifting Eccentric Screw..... |

| NO. | PLATE | NAME |
|-------|-------|---|
| 54061 | 8990 | Looper Holder with 1120c and 1147c.... |
| 704w | 8958 | " " Screw..... |
| 64319 | 9884 | Needle Bar (hollow)..... |
| 51062 | --- | Needle Bar complete, for $\frac{3}{32}$ in. to $\frac{1}{4}$ in. gauges, Nos. 54064, 54065 and 64319.. |
| 51063 | --- | Needle Bar complete, for $\frac{3}{32}$ in. to $\frac{3}{8}$ in. gauges, Nos. 54064, 54066 and 64319.. |
| 38456 | 9882 | Needle Bar Bushing (lower)..... |
| 1133e | 8958 | " " " " Set Screw... |
| 64320 | 9882 | " " " (upper)..... |
| 1133e | 8958 | " " " " Set Screw... |
| 54326 | 9882 | " " Connecting Link..... |
| 51329 | --- | " " " " 54326 with 51327 and 51328..... |
| 51327 | 9882 | Needle Bar Connecting Link Hinge Stud |
| 1520j | 9888 | " " " " " " " |
| | | Nut..... |
| 54328 | 9882 | Needle Bar Connecting Stud with 241f and two 187e..... |
| 187e | 8958 | Needle Bar Connecting Stud Clamping Screw..... |
| 54064 | 9884 | Needle Clamp with two 1498e..... |
| 54065 | 9884 | " " Thread Guard, for $\frac{3}{32}$ in. to $\frac{1}{4}$ in. gauges..... |
| 54066 | 9884 | Needle Clamp Thread Guard, for $\frac{3}{32}$ in. to $\frac{3}{8}$ in. gauges..... |
| 54067 | 9884 | Needle Guard for $\frac{1}{32}$ in. to $\frac{5}{32}$ in. gauges. |
| 51068 | 9884 | " " " $\frac{3}{16}$ in. to $\frac{9}{32}$ in. gauges. |
| 51069 | 9884 | " " " $\frac{5}{16}$ in. to $\frac{3}{8}$ in. gauges. |
| 51038 | 9884 | " Guard Holder..... |
| 176d | 8958 | " " " Screw..... |
| 217f | 8901 | " " " Screw..... |
| 1498f | 8958 | " " " Set Screw..... |
| 61E30 | 9873 | Presser Bar with 25303..... |
| 25303 | 8990 | " " Ball, size $\frac{1}{4}$ in..... |
| 64331 | 9882 | " " Bushing (lower)..... |
| 1133e | 8958 | " " " " Set Screw... |
| 38456 | 9882 | " " " (upper)..... |
| 1133e | 8958 | " " " " Set Screw... |
| 54039 | 8985 | " " Guide Bracket with 453c, 640w and 1963..... |
| 610w | 8958 | Presser Bar Guide Bracket Adjusting Screw..... |
| 11173 | 8985 | Presser Bar Guide Bracket Guide.... |
| 447c | 8958 | " " " " " " Set Screw..... |

| NO. | PLATE | NAME |
|-------|-------|--|
| 1963 | 8985 | Presser Bar Guide Bracket Roller and Stud..... |
| 453c | 8901 | Presser Bar Guide Bracket Set Screw.... |
| 57257 | 9882 | " " Lifter..... |
| 57258 | 9882 | " " " Hinge Pin..... |
| 447c | 8958 | " " " " " Set Screw... |
| 1872 | 8985 | " " " Roller and Stud..... |
| 1250c | 9884 | " " " Stop Screw..... |
| 61047 | 9884 | " " Lifting Bracket with 460c and 1872..... |
| 68208 | 9873 | Presser Bar Lifting Lever..... |
| 61075 | 9884 | " " " " Connecting Stud |
| 460c | 9888 | " " " " " " " |
| | | Set Screw..... |
| 68184 | 9873 | Presser Bar Lifting Lever Extension.... |
| 161d | 8958 | " " " " " " Screw |
| 802d | 8958 | " " " " Hinge Screw... |
| 51040 | 9873 | " " Spring (flat)..... |
| 38468 | 8990 | " " " Stud..... |
| 68012 | 9881 | " Foot Needle Guard..... |
| 906c | 9881 | " " " " Adjusting Screw..... |
| 240w | 9881 | Presser Foot Needle Guard Screw..... |
| 68013 | 9881 | " " with 240w, 68012 and two 906c, for $\frac{3}{32}$ in. to $\frac{3}{16}$ in. gauges..... |
| | | NOTE: When ordering No. 68013 state gauge required. |
| 26276 | 9881 | Presser Foot Hinge Pin..... |
| 68244 | 9881 | " " Needle Guard..... |
| 337w | 9881 | " " " " Screw..... |
| 68245 | --- | " " Plate..... |
| 46087 | --- | " " Shank..... |
| 68246 | 9881 | Presser Foot (hinged) complete, for $\frac{1}{8}$ in. to $\frac{3}{8}$ in. gauges, Nos. 26276, 46087, 68245 and two each 337w and 68244... |
| | | NOTE: When ordering No. 68246, state gauge required. |
| 190d | 8958 | Presser Foot Screw..... |
| 574w | 8958 | Pressure Regulating Thumb Screw..... |
| 1539w | 9888 | " " " " " Lock Nut..... |
| 54381 | 9884 | Slack Thread Controller..... |
| 54242 | 8990 | Slack Thread Controller Clamp..... |
| 190d | 8958 | " " " " Screw... |
| 64337 | 9884 | " " Regulator..... |
| 54042 | 8990 | " " " Holder with 175e and two 50150c..... |

| NO. | PLATE | NAME |
|--------|-------|--|
| 175E | 8958 | Slack Thread Regulator Holder Clamping Screw..... |
| 54043 | 8990 | Slack Thread Regulator Holder Shaft |
| 24292 | 8990 | “ “ “ “ “ |
| | | Collar with 1019c..... |
| 1019c | 8958 | Slack Thread Regulator Holder Shaft |
| | | Collar Set Screw..... |
| 54044 | 8990 | Slack Thread Regulator Holder Shaft |
| | | Crank (forked) with 1253c..... |
| 1253c | 8958 | Slack Thread Regulator Holder Shaft |
| | | Crank Set Screw..... |
| 50150c | 8958 | Slack Thread Regulator Set Screw..... |
| 35717 | 9888 | Stay Guide (lower)..... |
| 35718 | 9888 | “ “ (upper)..... |
| 35719 | — | Stay Guide complete, Nos. 35717 and 35718..... |
| 1499d | 9888 | Stay Guide Screw..... |
| 2102 | 9885 | Tension (under thread) Disc..... |
| 51570c | 9885 | “ “ “ “ Regulating Thumb Nut..... |
| 32572 | 9885 | Tension (under thread) Releasing Disc... |
| 50326c | 9885 | “ “ “ “ Screw Stud..... |
| 59539 | — | “ “ “ “ “ 50326c with 51570c..... |
| 59534 | 9885 | Tension (under thread) Spring..... |
| 59537 | 9885 | “ “ “ “ Bushing (large)..... |
| 59538 | 9885 | Tension (under thread) Spring Bushing (small)..... |
| 17547 | 9885 | Tension (under thread) Thread Guide... |
| 54216 | 9886 | “ (upper thread, automatic) Body |
| 1508j | 9886 | “ “ “ “ “ Nut..... |
| 54333 | 9886 | Tension (upper thread, automatic) Body Releasing Pin..... |
| 46383 | 9886 | Tension (upper thread, automatic) Cam with two 1253c..... |
| 1253c | 8958 | Tension (upper thread, automatic) Cam Set Screw..... |
| 2102 | 9885 | Tension (upper thread, automatic) Disc.. |
| 1560c | 9885 | “ “ “ “ “ Regu- lating Thumb Nut..... |
| 32572 | 9885 | Tension (upper thread, automatic) Releas- ing Disc..... |
| 50106c | 9885 | Tension (upper thread, automatic) Screw Stud..... |

| NO. | PLATE | NAME |
|--------|-------|--|
| 53213 | — | Tension (upper thread, automatic) Screw Stud 50106c with 1560c..... |
| 46385 | 9885 | Tension (upper thread, automatic) Screw Stud Releasing Pin..... |
| 46387 | 9885 | Tension (upper thread, automatic) Spring |
| 54244 | 9886 | “ “ “ “ Thread Guide..... |
| 54070 | 8996 | Tension (upper thread) Bracket..... |
| 376d | 8958 | “ “ “ “ “ Screw... |
| 2102 | 9885 | “ “ “ “ Disc..... |
| 51570c | 9885 | “ “ “ “ “ Regulating Thumb Nut..... |
| 32572 | 9885 | Tension (upper thread) Releasing Disc... |
| 54988 | 9885 | “ “ “ “ “ Pin.... |
| 54071 | 9889 | “ “ “ “ “ Shaft |
| 54047 | 9886 | “ “ “ “ “ Crank with 624c..... |
| 54048 | 9886 | Tension (upper thread) Releasing Shaft Crank Link..... |
| 624c | 8958 | Tension (upper thread) Releasing Shaft Crank Set Screw..... |
| 54990 | 9886 | Tension (upper thread) Releasing Shaft Spring..... |
| 316f | 8958 | Tension (upper thread) Releasing Shaft Stop Screw..... |
| 1547j | 9885 | Tension (upper thread) Releasing Shaft Stop Screw Nut..... |
| 50326c | 9885 | Tension (upper thread) Screw Stud..... |
| 59539 | — | “ “ “ “ “ 50326c with 51570c..... |
| 59535 | 9885 | Tension (upper thread) Spring..... |
| 59537 | 9885 | “ “ “ “ “ Bushing (large)..... |
| 59538 | 9885 | Tension (upper thread) Spring Bushing (small)..... |
| 57076 | 9885 | Tension (upper thread) Thread Guide (double)..... |
| 68234 | 9887 | Thread Oil Cup..... |
| 68235 | 9887 | “ “ “ “ Cover..... |
| 54515 | 9887 | “ “ “ “ “ Hinge Pin..... |
| 68236 | 9887 | “ “ “ “ “ Latch Spring |
| 50411d | 9887 | “ “ “ “ “ “ Screw..... |
| 68237 | 9887 | Thread Oil Cup Cover Oil Pad (felt).... |
| 665d | 9887 | “ “ “ “ “ “ Screw.... |
| 68238 | 9887 | “ “ “ “ “ “ Oil Pad (felt) for Cup... |
| 49092 | 9887 | “ “ “ “ “ “ “ Tube.. |

From the files of the Bureau of Standards

| NO. | PLATE | NAME |
|-------|-------|---|
| 68239 | 9887 | Thread Oil Cup and Oil Tube complete, for oiling upper thread and crank connecting rod (upper bearing), Nos. 49092, 50411b, 54515, 68234 to 68238 and two 665d..... |
| 53225 | 9886 | Thread (under) Eyelet (back)..... |
| 190b | 8958 | " " " " Screw..... |
| 54072 | 9886 | " " " (front)..... |
| 64351 | 9886 | " " Nipper Cam with 465c.. |
| 465c | 8958 | " " " " Set Screw.. |
| 38210 | 9885 | " " " Spring (lower)... |
| 38211 | 9885 | " " " " (upper) |
| 46247 | 9885 | " " " " " |
| | | Stop..... |
| 176d | 8958 | Thread (under) Nipper Spring Screw.... |
| 38475 | 9886 | " " Take-up with 465c..... |
| 465c | 8958 | " " " Set Screw..... |
| 54435 | 9886 | " " " Staple with 5900 and 38481..... |
| 54049 | 9873 | Thread (under) Take-up Staple Bracket with 460c..... |
| 965d | 9888 | Thread (under) Take-up Staple Bracket Screw..... |
| 46041 | 9885 | Thread (under) Take-up Staple Spring |
| 190d | 8958 | " " " " " " Screw..... |
| 38481 | 9886 | Thread (under) Take-up Staple Thread Guard..... |
| 590d | 8958 | Thread (under) Take-up Staple Thread Guard Screw..... |
| 38482 | 9885 | Thread (under) Take-up Stripper..... |
| 207d | 9888 | " " " " Screw. |
| 64355 | 9886 | " " " Thread Guard (brass)..... |
| 64356 | 9886 | Thread (under) Take-up Thread Guard Steady Pin..... |
| 460c | 9888 | Thread (under) Take-up Thread Guard Steady Pin Set Screw..... |
| 54330 | 9886 | Thread (upper) Controller..... |
| 207d | 9888 | " " " Screw..... |
| 46009 | 9886 | " " Eyelet..... |
| 190d | 8958 | " " " Screw..... |
| 54094 | 9888 | " " Take-up..... |
| 54095 | 9888 | " " " Plate..... |
| 68164 | 9888 | " " " " Spring |
| 1449d | 9888 | " " " " " Screw..... |

| NO. | PLATE | NAME |
|---|-------|---|
| 54096 | — | Thread (upper) Take-up complete, Nos. 1449b, 54094, 54095 and 68164..... |
| 211f | 8958 | Thread (upper) Take-up Set Screw..... |
| 68014 | 9881 | Throat Plate, for $\frac{3}{32}$ in. to $\frac{3}{16}$ in. gauges, for 68011..... |
| 54338 | 9881 | Throat Plate, for $\frac{1}{2}$ in. to $\frac{3}{8}$ in. gauges, for 54337..... |
| NOTE: When ordering 54338 or 68014, state gauge required. | | |
| 742f | 9884 | Throat Plate Screw..... |

ACCESSORIES

| NO. | PLATE | NAME |
|--------|-------|--|
| 120344 | 8941 | Oiler (copper plated) with 120345..... |
| 120345 | 8941 | " Spout, 5 in. long..... |
| 26026 | 8941 | Screw Driver (large)..... |
| 26485 | 8941 | " " (small)..... |
| 38487 | 8941 | Threading Wire..... |
| 120341 | 8941 | Tweezers (curved)..... |
| 8908 | 8941 | Wrench for 1520..... |
| 19221 | 8941 | " " 1516..... |
| 4822 | 8941 | " " 1547..... |

BELT GUARD

| NO. | PLATE | NAME |
|-------|-------|---|
| 68222 | 9879 | Belt Guard with two wood screws 1 in. No. 12..... |

BENCH STAND

| NO. | PLATE | NAME |
|--------|-------|--|
| 79611 | — | Bench Stand with 5604, 9370, two 41538, three wood screws $1\frac{1}{4}$ in. No. 14, four 60656 and sixteen wood screws $\frac{5}{8}$ in. No. 7..... |
| 41538 | — | Flush Bolt with Plate complete, Nos. 126247, 126248 and four brass wood screws $\frac{5}{8}$ in. No. 4..... |
| 126247 | 8952 | Flush Bolt..... |
| 126248 | 8952 | " " Plate..... |
| 60656 | 8952 | Hinge..... |
| 9370 | 8952 | Slide Spring..... |
| 5604 | 8952 | " " Pin..... |

FOOT LIFTER PARTS

| NO. | PLATE | NAME |
|--|-------|--|
| 6439 | ----- | Chain, 36 in. to 45 in., with 56864 and 56865..... |
| NOTE: When ordering No. 6439, state length required. | | |
| 4879 | 8941 | Chain Connecting Link..... |
| 56864 | 8941 | " Hook (large)..... |
| 56865 | 8985 | " " (small)..... |
| 126249 | 8980 | Treadle..... |
| 4882 | 8941 | " Shaft..... |
| 126250 | 8941 | " Spring..... |
| 126251 | 8980 | " Stand..... |
| 126252 | 8980 | Treadle complete, Nos. 4882, 126249 to 126251 and two wood screws 1 in. No. 16 |

KNEE LIFTER PARTS

| NO. | PLATE | NAME |
|-------|-------|---|
| 37563 | ---- | Chain, length 15 in., with 56864 and 56865 |
| 56864 | 8941 | " Hook (large)..... |
| 56865 | 8985 | " " (small)..... |
| 2763 | 8980 | Rock Shaft..... |
| 12242 | 8980 | " " Hanger with two wood screws 1 in. No. 10..... |
| 6335 | 8980 | Rock Shaft Knee Arm..... |
| 6336 | --- | Rock Shaft Knee Arm complete, Nos. 2766, 2767 and 6335..... |
| 2766 | 8980 | Rock Shaft Knee Arm Hub with 356c.... |
| 356c | 8985 | " " " " " Set Screw.... |
| 2767 | 8980 | " " " " " Plate with 356c..... |
| 356c | 8985 | " " " " " Set Screw..... |
| 6337 | 8980 | " " " " " Lifting Bracket with two 356c |
| 7125 | 8980 | " " " " " H o o k..... |
| 356c | 8985 | " " " " " S e t Screw..... |
| 356c | 8985 | Rock Shaft Lifting Bracket Set Screw.... |
| 2770 | 8980 | " " " " " Stop Dog with 356c..... |
| 356c | 8985 | " " " " " Set Screw..... |
| 23767 | 8980 | Rock Shaft complete, Nos. 2763, 2770, 6336, 6337, 7125 and two 12242..... |

MACHINE BASE

| NO. | PLATE | NAME |
|--------|-------|---------------------------|
| 68223 | 9879 | Machine Base..... |
| 51072E | 9888 | " " Bolt with 51581E..... |

MACHINE BASE

| NO. | PLATE | NAME |
|--------|-------|--|
| 51581E | 9888 | Machine Base Bolt Nut..... |
| 6055 | 8990 | " " " " Washer..... |
| 49123 | 8996 | " " Oil Pipe..... |
| 60884 | 8985 | " " " Plug..... |
| 57285 | 8996 | " Cushion (felt)..... |
| 948E | 8958 | " Screw, to fasten machine to base |
| 68224 | ---- | Machine Base complete, Nos. 49123, 60884, 68223, three each 6055, 51072E and four each 948E and 57285..... |

TAPE HOLDER (5 In. Diam.)

FOR UNDER THE BENCH

| NO. | PLATE | NAME |
|-------|-------|--|
| 36795 | 8938 | Tape Holder Body..... |
| 36796 | 8938 | " " Cover..... |
| 55D | 9884 | " " " Hinge Screw..... |
| 28994 | 8938 | Tape Holder (5 in. diam.) complete, Nos. 55D, 36795, 36796 and two wood screws 1 1/4 in. No. 10..... |

THREAD UNWINDER

FOR FOUR SPOOLS

| NO. | PLATE | NAME |
|---------|-------|---|
| 225395 | 8953 | Spool Rest (for two spools) with 201018c |
| 225388 | 8953 | " " Rod..... |
| 200383c | 8985 | " " " Set Screw..... |
| 201018c | 8985 | " " " Set Screw..... |
| 202490 | 8953 | " " Stand with 200383c..... |
| 225391 | 8953 | Thread Guide..... |
| 201696J | 9888 | " " Lock Nut..... |
| 225392 | 8953 | " " Rod with 208E and 225393 |
| 208E | 8985 | " " " Screw..... |
| 225393 | 9888 | " " " Washer..... |
| 225398 | 8953 | Thread Unwinder complete, Nos. 201696J, 202490, 225388, 225392, two 225395, four 225391 and three wood screws 7/8 in. No. 12..... |
| 27739 | 8996 | Thread Cone (wood) for large cones.... |
| 225390 | 8996 | " " Holder, for inverted cones.. |

NOTE: Nos. 27739 and 225390 are used with, but not included in 225398

OBSOLETE PARTS

| NO. | PLATE | NAME |
|-------|-------|---|
| 54356 | 8980 | Belt Guard with 1192c..... |
| 27347 | 8985 | “ “ Hinge Pin..... |
| 1192c | 8985 | “ “ “ “ Set Screw..... |
| 1192c | 8985 | “ “ Set Screw..... |
| 54357 | 8980 | Machine Base with 1192c..... |
| 54358 | — | Machine Base with Belt Guard complete, Nos. 27347, 49123, 54356, 54357, 60884, three each 6055, 51072e and four each 948e and 57285..... |
| 54188 | 9888 | Oil Cup..... |
| 1284b | 9888 | “ “ Regulating Screw..... |
| 2026 | 9888 | “ “ “ “ Spring..... |
| 38100 | 9888 | “ “ Packing (felt)..... |
| 54189 | — | Oil Cup complete, for oiling upper thread, Nos. 1284b, 2026, 38100 and 54188, use 68239..... |
| 1423w | 9888 | Oil Cup Screw..... |
| 54108 | — | “ Tube..... |
| 54109 | — | “ “ Bracket..... |
| 49092 | 8990 | “ “ Packing (felt)..... |
| 54110 | 8990 | Oil Tube complete, for oiling crank con- necting rod (upper bearing), Nos. 49092, 54108 and 54109..... |
| 64362 | 8996 | Presser Bar Lifting Lever..... |
| 54103 | 9873 | “ “ “ “ Extension.... |

**Genuine Singer Needles and their Con-
tainers are marked with the Company's
Trade Mark "SIMANCO." 1**

**Needles in Containers marked
"For Singer Machines"
are not Singer made needles. 2**

NUMERICAL LIST OF PARTS
FOR
MACHINE No. 147-35

NUMERICAL LIST OF PARTS

| NO. PLATE | NAME |
|-----------|--|
| 55D 9884 | Tape Holder Cover Hinge Screw for 28994 |
| 144D 8901 | Arm Rotary Shaft Screw..... |
| 157W 8904 | Feed Dog Screw..... |
| 159F 8901 | Arm Rotary Shaft Flanged Bushing Screw |
| 161D 8958 | Presser Bar Lifting Lever Extension Screw |
| 171D 8958 | Looper Carrier Adjusting Screw for 54027 |
| 175E 8958 | “ “ Driver Cap Screw for 54230 |
| 175E 8958 | Slack Thread Regulator Holder Clamping Screw for 54042..... |
| 176D 8958 | Needle Guard Holder Screw..... |
| 176D 8958 | Thread (under) Nipper Spring Screw... .. |
| 187E 8958 | Needle Bar Connecting Stud Clamping Screw for 54328..... |
| 190D 8958 | Presser Foot Screw..... |
| 190D 8958 | Slack Thread Controller Clamp Screw... .. |
| 190D 8958 | Thread (under) Eyelet (back) Screw... .. |
| 190D 8958 | “ “ Take-up Staple Spring Screw..... |
| 190D 8958 | Thread (upper) Eyelet Screw..... |
| 207D 9888 | “ (under) Take-up Stripper Screw... .. |
| 207D 9888 | “ (upper) Controller Screw..... |
| 208E 8985 | “ Unwinder Thread Guide Rod Screw for 225392..... |
| 211F 8958 | Thread (upper) Take-up Set Screw for 54328..... |
| 217D 8904 | Feed Eccentric Clamping Washer Screw for 54025..... |
| 217F 8904 | Needle Guard Screw..... |
| 227D 8958 | Looper Driving Shaft and Feed Lifting Eccentric Oil Hole Screw for 54440..... |
| 240W 9881 | Presser Foot Needle Guard Screw for 68013..... |
| 286D 8904 | Arm Side Cover (back) Thumb Screw... .. |
| 286D 8904 | “ “ “ (front) Thumb Screw... .. |
| 286D 8904 | Face Plate Thumb Screw..... |
| 316F 8958 | Tension (upper thread) Releasing Shaft Stop Screw..... |
| 337W 9881 | Presser Foot Needle Guard Screw for 68246..... |
| 356C 8985 | Rock Shaft Knee Arm Hub Set Screw for 2766..... |
| 356C 8985 | Rock Shaft Knee Plate Set Screw for 2767 |
| 356C 8985 | “ “ Lifting Bracket Hook Set Screw for 6337..... |

| NO. PLATE | NAME |
|-----------|---|
| 356c 8985 | Rock Shaft Lifting Bracket Set Screw for 6337..... |
| 356c 8985 | Rock Shaft Stop Dog Set Screw for 2770..... |
| 376d 8958 | Tension (upper thread) Bracket Screw..... |
| 422c 8901 | Arm Rotary Shaft Bushing (intermediate) Set Screw (long)..... |
| 423c 8901 | Arm Rock Shaft Bushing (intermediate) Set Screw..... |
| 430c 8904 | Balance Wheel Set Screw for 54210..... |
| 446c 8901 | Arm Rock Shaft Bushing (back) Set Screw..... |
| 446c 8901 | Looper Carrier Connecting Shaft Bushing Set Screw..... |
| 447c 8958 | Presser Bar Guide Bracket Guide Set Screw..... |
| 447c 8958 | Presser Bar Lifter Hinge Pin Set Screw..... |
| 453c 8901 | Arm Rock Shaft Collar Set Screw for 51004..... |
| 453c 8901 | Arm Rock Shaft Crank (front) Set Screw for 61255..... |
| 453c 8901 | Arm Rock Shaft Flanged Bushing (front) Set Screw..... |
| 453c 8901 | Feed Bar Hinge Pin Set Screw for 54019..... |
| 453c 8901 | " Rocking Frame Hinge Pin Bushing Set Screw..... |
| 453c 8901 | Feed Rocking Frame Hinge Pin Set Screw for 54026..... |
| 453c 8901 | Presser Bar Guide Bracket Set Screw for 51039..... |
| 457c 8904 | Feed Connecting Rod Hinge Pin Collar Set Screw for 21506..... |
| 460c 9888 | Presser Bar Lifting Lever Connecting Stud Set Screw for 61047..... |
| 460c 9888 | Thread (under) Take-up Thread Guard Steady Pin Set Screw for 54049..... |
| 465c 8958 | Thread (under) Nipper Cam Set Screw for 64351..... |
| 465c 8958 | Thread (under) Take-up Set Screw for 38475..... |
| 574w 8958 | Pressure Regulating Thumb Screw..... |
| 590d 8958 | Thread (under) Take-up Staple Thread Guard Screw for 54435..... |
| 624c 8958 | Tension (upper thread) Releasing Shaft Crank Set Screw for 54047..... |
| 640d 8958 | Looper Driving Shaft and Feed Lifting Eccentric Screw for 54448..... |
| 640w 8958 | Presser Bar Guide Bracket Adjusting Screw for 54039..... |

| NO. PLATE | NAME |
|------------|--|
| 665d 9887 | Thread Oil Cup Cover Oil Pad Screw for 68239..... |
| 704w 8958 | Looper Holder Screw..... |
| 725j 8904 | Cloth Plate Slide (left) Spring Screw for 54013..... |
| 725j 8904 | Cloth Plate Slide (right) Spring Screw for 54056 and 68192..... |
| 742F 9884 | Throat Plate Screw..... |
| 761E 8901 | Arm Rotary Shaft Bushing (front) Set Screw..... |
| 761E 8901 | Looper Driving Shaft and Feed Lifting Eccentric Bracket Bushing Set Screw for 54034..... |
| 802d 8958 | Presser Bar Lifting Lever Hinge Screw..... |
| 896E 8904 | Crank Connecting Rod Cap (lower) Screw for 54017..... |
| 896E 8904 | Feed Connecting Rod Cap Screw for 54111..... |
| 906c 9881 | Presser Foot Needle Guard Adjusting Screw for 68013..... |
| 948d 8958 | Looper Driving Shaft and Feed Lifting Eccentric Bracket Screw for 54182..... |
| 948E 8958 | Machine Screw, to fasten machine to base, for 54358 and 68224..... |
| 965d 9888 | Thread (under) Take-up Staple Bracket Screw..... |
| 1011F 8904 | Cloth Plate Screw (left)..... |
| 1019c 8958 | Slack Thread Regulator Holder Collar Set Screw for 24292..... |
| 1057E 8904 | Crank Connecting Rod Cap (upper) Screw for 54017..... |
| 1057E 8904 | Feed Connecting Rod Clamping Screw for 54111..... |
| 1103 8904 | Feed Regulating Screw for 54025..... |
| 1120c 8958 | Looper (front) Set Screw for 54061..... |
| 1133E 8958 | Needle Bar Bushing (lower) Set Screw..... |
| 1133E 8958 | " " " (upper) Set Screw..... |
| 1133E 8958 | Presser Bar Bushing (lower) Set Screw..... |
| 1133E 8958 | " " " (upper) Set Screw..... |
| 1147c 9883 | Looper (back) Set Screw for 54061..... |
| 1192c 8985 | Belt Guard Hinge Pin Set Screw for 54357, obsolete..... |
| 1192c 8985 | Belt Guard Set Screw for 54356, obsolete..... |
| 1235d 8904 | Cloth Plate Thread Guard Screw..... |
| 1250c 9884 | Presser Bar Lifter Stop Screw..... |
| 1253c 8958 | Slack Thread Regulator Holder Shaft Crank Set Screw for 54044..... |

From the Library of Raymond Need Corp.

| NO. | PLATE | NAME |
|-------|-------|---|
| 1253c | 8958 | Tension (upper thread, automatic) Cam Set Screw for 46383..... |
| 1259c | 8958 | Arm Rotary Shaft Collar Set Screw for 54008..... |
| 1284d | 9888 | Oil Cup Regulating Screw for 54189, obsolete..... |
| 1423w | 9888 | Oil Cup Screw, obsolete..... |
| 1449d | 9888 | Thread (upper) Take-up Plate Spring Screw for 54096..... |
| 1498f | 8958 | Needle Set Screw for 54064..... |
| 1499d | 9888 | Stay Guide Screw..... |
| 1508j | 9886 | Tension (upper thread, automatic) Body Nut..... |
| 1516i | 8904 | Crank Connecting Rod Ball Screw Stud Nut..... |
| 1520j | 9888 | Needle Bar Connecting Link Hinge Stud Nut..... |
| 1539w | 9888 | Pressure Regulating Thumb Screw Lock Nut..... |
| 1547j | 9885 | Tension (upper thread) Releasing Shaft Stop Screw Nut..... |
| 1560c | 9885 | Tension (upper thread, automatic) Regulating Thumb Nut for 53213..... |
| 1872 | 8985 | Presser Bar Lifter Roller and Stud for 61047..... |
| 1963 | 8985 | Presser Bar Guide Bracket Roller and Stud for 54039..... |
| 2026 | 9888 | Oil Cup Regulating Screw Spring for 54189, obsolete..... |
| 2102 | 9885 | Tension (under thread) Disc..... |
| 2102 | 9885 | " (upper thread, automatic) Disc.. |
| 2102 | 9885 | " " " Disc..... |
| 2117 | 8904 | Arm Rock Shaft Crank (front) Pin..... |
| 2763 | 8989 | Rock Shaft for 23767..... |
| 2766 | 8980 | " " Knee Arm Hub with 356c, for 6336..... |
| 2767 | 8980 | Rock Shaft Knee Plate with 356c, for 6336 |
| 2770 | 8980 | " " Stop Dog with 356c for 23767 |
| 4822 | 8941 | Wrench for 1517 (Accessories)..... |
| 4879 | 8941 | Chain Connecting Link..... |
| 4882 | 8941 | Treadle Shaft for 126252..... |
| 5604 | 8952 | Bench Stand Slide Spring Pin for 79611.. |
| 6055 | 8990 | Machine Base Bolt Nut Washer for 54358 and 68224..... |
| 6335 | 8980 | Rock Shaft Knee Arm for 6336..... |
| 6336 | — | Rock Shaft Knee Arm complete for 23767, Nos. 2766, 2767 and 6335..... |

| NO. | PLATE | NAME |
|--------|-------|--|
| 6337 | 8980 | Rock Shaft Lifting Bracket with two 356c, for 23767..... |
| 6439 | — | Chain, 36 in. to 45 in., with 56864 and 56865..... |
| 6575 | 8904 | Crank Connecting Rod Oil Pad Stop Pin for 54017..... |
| 7071 | 8904 | Feed Eccentric Clamping Washer for 54025..... |
| 7125 | 8980 | Rock Shaft Lifting Bracket Hook, for 23767..... |
| 8908 | 8941 | Wrench for 1520 (Accessories)..... |
| 9370 | 8952 | Bench Stand Slide Spring for 79611..... |
| 11173 | 8985 | Presser Bar Guide Bracket Guide..... |
| 12242 | 8980 | Rock Shaft Hanger with two wood screws 1 in. No. 10, for 23767..... |
| 15196 | 8902 | Arm Side Cover (back)..... |
| 17547 | 9885 | Tension (under thread) Thread Guide.... |
| 19221 | 8941 | Wrench for 1516 (Accessories)..... |
| 21506 | 8904 | Feed Connecting Rod Hinge Pin Collar with 457c, for 54077..... |
| *23729 | — | Feed Eccentric Body for 54025..... |
| 23767 | 8980 | Rock Shaft complete, Nos. 2763, 2770, 6336, 6337, 7125 and two 12242..... |
| 24292 | 8990 | Slack Thread Regulator Holder Shaft Collar with 1019c..... |
| 25303 | 8990 | Presser Bar Ball, size ¼ in., for 64330..... |
| 26026 | 8941 | Screw Driver, large (Accessories)..... |
| 26276 | 9881 | Presser Foot Hinge Pin for 68246..... |
| 26485 | 8941 | Screw Driver, small (Accessories)..... |
| 27347 | 8985 | Belt Guard Hinge Pin for 54358, obsolete |
| 27739 | 8996 | Thread Unwinder Thread Cone (wood) for large cones, for 225398..... |
| 28994 | 8938 | Tape Holder (5 in. diam.) complete, for under the bench, Nos. 55b, 36795, 36796 and two wood screws 1½ in. No. 10... |
| 32572 | 9885 | Tension (under thread) Releasing Disc... |
| 32572 | 9885 | " (upper thread, automatic) Releasing Disc..... |
| 32572 | 9885 | Tension (upper thread) Releasing Disc... |
| 35717 | 9888 | Stay Guide (lower) for 35719..... |
| 35718 | 9888 | " " (upper) for 35719..... |
| 35719 | — | Stay Guide complete, Nos. 35717 and 35718..... |
| 36795 | 8938 | Tape Holder Body for 28994..... |
| 36796 | 8938 | " " Cover for 28994..... |
| 37563 | — | Chain, length 15 in., with 56864 and 56865 |
| 38100 | 9888 | Oil Cup Packing (felt) for 54189, obsolete |

| NO. | PLATE | NAME |
|--------|-------|---|
| 38210 | 9885 | Thread (under) Nipper Spring (lower)... |
| 38211 | 9885 | “ “ “ (upper)... |
| 38419 | 8904 | Cloth Plate Slide (left) Spring for 54013. |
| 38419 | 8904 | “ “ “ (right) Spring for 54056 and 68192..... |
| 38456 | 9882 | Needle Bar Bushing (lower)..... |
| 38456 | 9882 | Presser Bar Bushing (upper)..... |
| 38468 | 8990 | “ “ Spring Stud..... |
| 38475 | 9886 | Thread (under) Take-up with 465c..... |
| 38481 | 9886 | Thread (under) Take-up Staple Thread Guard for 54435..... |
| 38482 | 9885 | Thread (under) Take-up Stripper..... |
| 38487 | 8941 | Threading Wire (Accessories)..... |
| 40326 | 8990 | Looper Driving Shaft and Feed Lifting Eccentric Oil Pad (braided cotton)..... |
| 41538 | — | Bench Stand Flush Bolt with Plate com- plete, for 79614, Nos. 126247, 126248 and four brass wood screws $\frac{5}{8}$ in. No. 4 |
| 42366 | 8901 | Arm Oil Pad (braided cotton) for oiling Arm Rock Shaft Front Bearing..... |
| 46009 | 9886 | Thread (upper) Eyelet..... |
| 46041 | 9885 | “ (under) Take-up Staple Spring... |
| 46087 | — | Presser Foot Shank for 68246..... |
| 46111 | 9888 | Face Plate Pin..... |
| 46247 | 9885 | Thread (under) Nipper Spring (upper) Stop..... |
| 46383 | 9886 | Tension (upper thread, automatic) Cam with two 1253c, for 54192..... |
| 46385 | 9885 | Tension (upper thread, automatic) Screw Stud Releasing Pin..... |
| 46387 | 9885 | Tension (upper thread, automatic) Spring |
| 49013 | 8904 | Arm Rotary Shaft Front Bearing Oil Pad (braided cotton)..... |
| 49013 | 8901 | Looper Carrier Connection Shaft Oil Pad (braided cotton)..... |
| 49092 | 9887 | Oil Packing (felt) for 54110, obsolete..... |
| 49092 | 9887 | Thread Oil Cup Oil Pad (felt) for tube, for 68239..... |
| 49123 | 8996 | Machine Base Oil Pipe for 54358 and 68224..... |
| 50069c | 8901 | Crank Connecting Rod Ball Screw Stud for 54088..... |
| 50083c | 8901 | Arm Rock Shaft Crank (back) Set Screw for 54184..... |
| 50084c | 8901 | Arm Rotary Shaft Bushing (intermediate) Set Screw (short)..... |

| NO. | PLATE | NAME |
|--------|-------|---|
| 50106c | 9885 | Tension (upper thread, automatic) Screw Stud for 53213..... |
| 50150c | 8958 | Slack Thread Regulator Holder Set Screw for 54042..... |
| 50326c | 9885 | Tension (under thread) Screw Stud for 59539..... |
| 50326c | 9885 | Tension (upper thread) Screw Stud for 59539..... |
| 50411d | 9887 | Thread Oil Cup Cover Latch Spring Screw for 68239..... |
| 50429c | 8904 | Feed Dog Stop Screw for 54019..... |
| 50473F | 8904 | Cloth Plate Screw (right)..... |
| 51061c | 8958 | Feed Eccentric Body Set Screw for 54025 |
| 51072E | 9888 | Machine Base Bolt with 51581E, for 54358 and 68224..... |
| 51570c | 9885 | Tension (under thread) Regulating Thumb Nut for 59539..... |
| 51570c | 9885 | Tension (upper thread) Regulating Thumb Nut for 59539..... |
| 51581E | 9888 | Machine Base Bolt Nut for 51072..... |
| 52045 | 8901 | Arm Oil Tube Packing (braided cotton) for 56003..... |
| 52045 | 8901 | Arm Rock Shaft Bushing Oil Pad (braided cotton)..... |
| 52045 | 8901 | Arm Rock Shaft Flanged Bushing (front) Oil Pad (braided cotton)..... |
| 52045 | 8901 | Arm Rotary Shaft Bushing (front) Oil Pad (braided cotton)..... |
| 53213 | — | Tension (upper thread, automatic) Screw Stud 50106c with 1560c..... |
| 53225 | 9886 | Thread (under) Eyelet (back)..... |
| 54004 | 8901 | Arm Rock Shaft Collar with two 453c, for 54192..... |
| *54006 | 8938 | Arm Rotary Shaft for 54448..... |

NOTE: When No. 54006 is required for repairs, the
Looper Driving Shaft and Feed Lifting Eccen-
tric must be returned to the factory
to be adjusted to the new part.

| | | |
|-------|------|---|
| 54007 | 8902 | Arm Rotary Shaft Bushing (intermediate) for 54089..... |
| 54008 | 8901 | Arm Rotary Shaft Collar with three 1259c, for 54448..... |
| 54009 | 8902 | Arm Rotary Shaft Flanged Bushing for 54090..... |
| 54010 | 8904 | Arm Side Cover (front)..... |
| 54012 | 8902 | Cloth Plate Slide (left) for 54013..... |

| NO. | PLATE | NAME |
|--------|-------|--|
| 54013 | — | Cloth Plate Slide (left) complete for 54200, and 68268, Nos. 38419, 54012 and two 725f..... |
| 54017 | 8902 | Crank Connecting Rod with 6575, 54018, 54218, 54897, 57222 and two each 896e and 1057e, for 54088..... |
| *54018 | — | Crank Connecting Rod Cap (upper) for 54017..... |
| 54019 | 8902 | Feed Bar with 50429c and two 453c, for 54077..... |
| 54020 | 8902 | Feed Bar Connection for 54077..... |
| 54023 | 9882 | “ Connecting Rod Hinge Pin for 54077..... |
| *54024 | — | “ Eccentric for 54025..... |
| 54025 | 8985 | Feed Eccentric (adjustable) complete for 54113, Nos. 217b, 1103c, 7071, 23729, 54024 and two 51061c..... |
| 54026 | 9873 | Feed Rocking Frame with two 453c, for 54077..... |
| 54027 | 9883 | Looper Carrier with two 171b, for 54447..... |
| *54032 | — | “ “ Driver Cap for 54230..... |
| *54034 | — | “ Driving Shaft and Feed Lifting Eccentric Bracket with 761e, for 54182..... |
| 54038 | 9884 | Needle Guard Holder..... |
| 54039 | 8985 | Presser Bar Guide Bracket with 453c, 640w and 1963..... |
| 54040 | 9873 | Presser Bar Spring (flat)..... |
| 54042 | 8990 | Slack Thread Regulator Holder with 175e and two 50150c..... |
| 54043 | 8990 | Slack Thread Regulator Holder Shaft..... |
| 54044 | 8990 | “ “ “ “ “ “ Crank (forked) with 1253c..... |
| 54047 | 9886 | Tension (upper thread) Releasing Shaft Crank with 621c..... |
| 54048 | 9886 | Tension (upper thread) Releasing Shaft Crank Link..... |
| 54049 | 9873 | Thread (under) Take-up Staple Bracket with 460c..... |
| 54055 | 9889 | Cloth Plate Slide (right) for 54056..... |
| 54056 | — | Cloth Plate Slide (right) complete for 54200, Nos. 38419, 54055 and two 725f..... |
| 54061 | 8990 | Looper Holder with 1120c and 1147c..... |
| 54062 | — | Needle Bar complete, for $\frac{3}{8}$ in. to $\frac{1}{4}$ in. gauges, Nos. 54064, 54065 and 64319.. |
| 54063 | — | Needle Bar complete, for $\frac{9}{16}$ in. to $\frac{3}{8}$ in. gauges, Nos. 54064, 54066 and 64319.. |
| 54064 | 9884 | Needle Clamp with two 1498e, for 54062 and 54063..... |

| NO. | PLATE | NAME |
|--------|-------|--|
| 54065 | 9884 | Needle Clamp Thread Guard, for $\frac{3}{8}$ in. to $\frac{1}{4}$ in. gauges, for 54062..... |
| 54066 | 9884 | Needle Clamp Thread Guard, for $\frac{9}{16}$ in. to $\frac{3}{8}$ in. gauges, for 54063..... |
| 54067 | 9884 | Needle Guard for $\frac{3}{8}$ in. to $\frac{5}{16}$ in. gauges..... |
| 54068 | 9884 | “ “ “ $\frac{3}{16}$ in. to $\frac{3}{16}$ in. gauges..... |
| 54069 | 9884 | “ “ “ $\frac{5}{16}$ in. to $\frac{3}{8}$ in. gauges..... |
| 54070 | 8996 | Tension (upper thread) Bracket..... |
| 54071 | 9889 | “ “ “ Releasing Shaft..... |
| 54072 | 9886 | Thread (under) Eyelet (front)..... |
| 54077 | — | Feed Rocking Frame 54026 with 21506, 54019, 54020, 54023 and 57225..... |
| 54080 | 8990 | Looper Driving Shaft and Feed Lifting Eccentric Bracket Bushing..... |
| 54081 | 8901 | Arm Rotary Shaft Bushing (front)..... |
| 54088 | — | Crank Connecting Rod 54017 with 50069c for 54448..... |
| 54089 | — | Arm Rotary Shaft Bushing (intermediate) 54007 with 64508 and 64805..... |
| 54090 | — | Arm Rotary Shaft Flanged Bushing 54009 with 58039 and 64805..... |
| 54094 | 9888 | Thread (upper) Take-up for 54096..... |
| 54095 | 9888 | “ “ “ Plate for 54096..... |
| 54096 | — | Thread (upper) Take-up complete, Nos. 1449b, 54094, 54095 and 68164..... |
| 54103 | 9873 | Presser Bar Lifting Lever Extension, obsolete..... |
| 54104 | 8938 | Cloth Plate Thread Guard..... |
| 54105 | 8901 | Arm Rock Shaft Flanged Bushing (front)..... |
| 54106 | 9883 | Looper (back) closed eye..... |
| 54107 | 9883 | “ (front) closed eye..... |
| 54108 | — | Oil Tube for 54110, obsolete..... |
| 54109 | — | “ “ Bracket for 54110, obsolete..... |
| 54110 | 8990 | Oil Tube complete, for oiling crank connecting rod (upper bearing), Nos. 49092, 54108 and 54109, obsolete..... |
| 54111 | 8902 | Feed Connecting Rod with 1057e, 54112 and two 896e, for 54113..... |
| *54112 | — | Feed Connecting Rod Cap for 54111..... |
| 54113 | — | “ “ “ 54111 with 54025, for 54448..... |
| *54182 | — | Arm, upper and lower (solid) with 948b and 54034..... |
| 54183 | 8938 | Arm Rock Shaft for 54192..... |
| 54184 | 8985 | “ “ “ Crank (back) with two 50083c, for 54192..... |
| 54188 | 9888 | Oil Cup for 54189, obsolete..... |

| NO. | PLATE | NAME |
|-------|-------|--|
| 54189 | --- | Oil Cup complete, for oiling upper thread, Nos. 1284b, 2026, 38100 and 54188, obsolete, use 68239..... |
| 54192 | --- | Arm Rock Shaft 54183, with 46383, 54004, 54184 and 64255..... |
| 54199 | 8938 | Cloth Plate for 54200 and 68268..... |
| 54200 | --- | Cloth Plate complete, for $\frac{3}{16}$ in. to $\frac{1}{4}$ in. gauges, Nos. 54013, 54056 and 54199.. |
| 54210 | 9889 | Balance Wheel, 2 $\frac{5}{8}$ in. pulley, with two 430c..... |
| 54216 | 9886 | Tension (upper thread, automatic) Body. |
| 54218 | 8904 | Crank Connecting Rod Oil Pad (braided cotton) for 54017..... |
| 54227 | 9883 | Looper Carrier Connection for 54447..... |
| 54228 | 9883 | " " " Shaft for 54447 |
| 54229 | 9883 | " " " " Bushing |
| 54230 | 9883 | " " Driver with 54032 and four 175e, for 54447..... |
| 54242 | 8990 | Slack Thread Controller Clamp..... |
| 54244 | 9886 | Tension (upper thread, automatic) Thread Guide..... |
| 54326 | 9882 | Needle Bar Connecting Link for 54329... |
| 54327 | 9882 | " " " " Hinge Stud for 54329..... |
| 54328 | 9882 | Needle Bar Connecting Stud with 211f and two 187e, for 54329..... |
| 54329 | --- | Needle Bar Connecting Link 54326 with 54327 and 54328..... |
| 54330 | 9886 | Thread (upper) Controller..... |
| 54333 | 9886 | Tension (upper thread, automatic) Body Releasing Pin..... |
| 54337 | 9881 | Feed Dog, 17 teeth (16 teeth to the inch) for 54338..... |
| 54338 | 9881 | Throat Plate, for $\frac{7}{32}$ in. to $\frac{3}{8}$ in. gauges, for 54337..... |
| 54356 | 8980 | Belt Guard with 1192c, for 54358, obsolete |
| 54357 | 8980 | Machine Base with 1192c, for 54358, obsolete..... |
| 54358 | --- | Machine Base with Belt Guard complete, Nos. 27347, 49123, 54356, 54357, 60884, three each 6055, 51072e and four each 948e and 57285, obsolete..... |
| 54381 | 9884 | Slack Thread Controller..... |
| 54435 | 9886 | Thread (under) Take-up Staple with 590b and 38481..... |

| NO. | PLATE | NAME |
|--------|-------|---|
| *54440 | 8990 | Looper Driving Shaft and Feed Lifting Eccentric with 227b and two 64315, for 54447..... |

NOTE: When No. 54440 is required for repairs, the Arm Rotary Shaft must be returned to the factory to be adjusted to the new part.

| | | |
|--------|------|---|
| 54447 | --- | Looper Driving Shaft and Feed Lifting Eccentric 54440, with 54027, 54227, 54228 and 54230, for 54448..... |
| 54448 | --- | Arm Rotary Shaft 54006 with 640b, 54008, 54088, 54113, 54447, 64351 and 64355.. |
| 54515 | 9887 | Thread Oil Cup Cover Hinge Pin for 68239 |
| 54897 | 8904 | Crank Connecting Rod Oil Cup for 54017 |
| 51988 | 9885 | Tension (upper thread) Releasing Pin... |
| 54990 | 9886 | " " " " Shaft Spring..... |
| 56003 | 8985 | Arm Oil Tube with 52045 for oiling 54326 |
| 56006 | 8901 | " " Pad (braided cotton) for oiling Arm Rock Shaft Intermediate Bearing |
| 56864 | 8941 | Chain Hook (large) for 6439 and 37563.. |
| 56865 | 8985 | Chain Hook (small) for 6439 and 37563.. |
| 57076 | 9885 | Tension (upper thread) Thread Guide (double)..... |
| *57222 | --- | Crank Connecting Rod Cap (lower) for 54017..... |
| 57225 | 8904 | Feed Bar Hinge Pin for 54077..... |
| 57234 | 9882 | " Rocking Frame Hinge Pin..... |
| 57235 | 8985 | " " " " Bushing |
| 57257 | 9882 | Presser Bar Lifter..... |
| 57258 | 9882 | " " " Hinge Pin..... |
| 57285 | 8996 | Machine Cushion (felt) for 54358 and 68224..... |
| 58039 | 8902 | Arm Rotary Shaft Flanged Bushing Oil Pad, long (braided cotton) for 54090... |
| 59534 | 9885 | Tension (under thread) Spring..... |
| 59535 | 9885 | " (upper thread) Spring..... |
| 59537 | 9885 | " (under thread) Spring Bushing (large)..... |
| 59537 | 9885 | Tension (upper thread) Spring Bushing (large)..... |
| 59538 | 9885 | Tension (under thread) Spring Bushing (small)..... |
| 59538 | 9885 | Tension (upper thread) Spring Bushing (small)..... |
| 59539 | --- | Tension (under thread) Screw Stud 50326c with 51570c..... |

From the Library of Digitized by Google

| NO. | PLATE | NAME |
|-------|-------|---|
| 59539 | — | Tension (upper thread) Screw Stud 50326c with 51570c..... |
| 60656 | 8952 | Bench Stand Hinge for 79611..... |
| 60884 | 8985 | Machine Base Oil Pipe Plug for 54358 and 68224..... |
| 61047 | 9884 | Presser Bar Lifting Bracket with 460c and 1872..... |
| 61075 | 9884 | Presser Bar Lifting Lever Connecting Stud |
| 64255 | 9882 | Arm Rock Shaft Crank (front) with 453c, for 54192..... |
| 64268 | 8904 | Crank Connecting Rod Ball Screw Stud Washer..... |
| 64269 | 9889 | Face Plate..... |
| 64315 | 8990 | Looper Driving Shaft and Feed Lifting Eccentric Oil Hole Plug for 54440..... |
| 64319 | 9884 | Needle Bar (hollow) for 54062 and 54063 |
| 64320 | 9882 | “ “ Bushing (upper)..... |
| 64330 | 9873 | Presser Bar with 25303..... |
| 64331 | 9882 | “ “ Bushing (lower)..... |
| 64337 | 9884 | Slack Thread Regulator..... |
| 64351 | 9886 | Thread (under) Nipper Cam with 465c for 54448..... |
| 64355 | 9886 | Thread (under) Take-up Thread Guard (brass) for 54448..... |
| 64356 | 9886 | Thread (under) Take-up Thread Guard Steady Pin..... |
| 64362 | 8996 | Presser Bar Lifting Lever, obsolete..... |
| 64386 | 8901 | Arm Rock Shaft Bushing (back)..... |
| 64388 | 8901 | “ “ “ “ (intermediate) |
| 64508 | 8902 | “ Rotary Shaft Bushing (intermediate) Oil Pad, long (braided cotton) for 54089 |
| 64805 | 8985 | Arm Rotary Shaft Bushing (intermediate) Oil Pad, short (braided cotton) for 54089 |
| 64805 | 8985 | Arm Rotary Shaft Flanged Bushing Oil Pad, short (braided cotton) for 54090 . |
| 68011 | 9881 | Feed Dog, 16 teeth (16 teeth to the inch) for 68014..... |
| 68012 | 9881 | Presser Foot Needle Guard for 68013..... |
| 68013 | 9881 | “ “ with 240w, 68012 and two 906c, for $\frac{3}{32}$ in. to $\frac{3}{16}$ in. gauges..... |
| 68014 | 9881 | Throat Plate, for $\frac{3}{32}$ in. to $\frac{3}{16}$ in. gauges, for 68011..... |
| 68164 | 9888 | Thread (upper) Take-up Plate Spring for 54096..... |
| 68184 | 9873 | Presser Bar Lifting Lever Extension..... |
| 68191 | — | Cloth Plate Slide (right) for 68192..... |

| NO. | PLATE | NAME |
|-------|-------|--|
| 68192 | — | Cloth Plate Slide (right) complete for 68268, Nos. 38419, 68191 and two 725J |
| 68208 | 9873 | Presser Bar Lifting Lever..... |
| 68222 | 9879 | Belt Guard with two wood screws 1 in. No. 12..... |
| 68223 | 9879 | Machine Base for 68224..... |
| 68224 | — | Machine Base complete, Nos. 49123, 60884, 68223, three each 6055, 51072E and four each 948E and 57285..... |

Nos. 68234 TO 68238 FOR 68239

| | | |
|--------|------|---|
| 68234 | 9887 | Thread Oil Cup..... |
| 68235 | 9887 | “ “ “ “ Cover..... |
| 68236 | 9887 | “ “ “ “ Latch Spring..... |
| 68237 | 9887 | “ “ “ “ Oil Pad (felt)..... |
| 68238 | 9887 | “ “ “ “ Oil Pad (felt) for cup..... |
| 68239 | 9887 | Thread Oil Cup and Oil Tube complete for oiling upper thread and crank connecting rod (upper bearing), Nos. 49092, 50411, 54515, 68234 to 68238 and two 6650..... |
| 68244 | 9881 | Presser Foot Needle Guard for 68246..... |
| 68245 | — | “ “ Plate for 68246..... |
| 68246 | 9881 | Presser Foot (hinged) complete, for $\frac{3}{32}$ in. to $\frac{3}{8}$ in. gauges, Nos. 26276, 46087, 68245 and two each 337w and 68244 .. |
| 68268 | — | Cloth Plate complete, for $\frac{3}{32}$ in. to $\frac{3}{8}$ in. gauges, for 54338, Nos. 54013, 54199 and 68192..... |
| 79611 | — | Bench Stand with 5604, 9370, two 41538, three wood screws $1\frac{1}{4}$ in. No. 14 four 60656 and sixteen wood screws $\frac{5}{8}$ in. No. 7..... |
| 120341 | 8941 | Tweezers (curved) Accessories..... |
| 120344 | 8941 | Oiler (copper plated) with 120345 (Accessories)..... |
| 120345 | 8941 | Oiler Spout, 5 in. long, for 120344..... |
| 126247 | 8952 | Bench Stand Flush Bolt for 41538..... |
| 126248 | 8952 | “ “ “ “ “ Plate for 41538..... |
| 126249 | 8980 | Treadle for 126252..... |
| 126250 | 8941 | “ Spring for 126252..... |
| 126251 | 8980 | “ Stand for 126252..... |
| 126252 | 8980 | Treadle complete, Nos. 4882, 126249 to 126251 and two wood screws 1 in. No. 16..... |

| NO. | PLATE | NAME |
|---------|-------|---|
| 200383c | 8985 | Thread Unwinder Spool Rest Rod Set Screw for 202490..... |
| 201018 | 8985 | Thread Unwinder Spool Rest Set Screw for 225395..... |
| 201696j | 9888 | Thread Unwinder Thread Guide Lock Nut for 225398..... |
| 202490 | 8953 | Thread Unwinder Spool Stand with 200383c, for 225398..... |
| 225388 | 8953 | Thread Unwinder Spool Rest Rod for 225398..... |
| 225390 | 8996 | Thread Unwinder Thread Cone Holder, for inverted cones, for 225398..... |
| 225391 | 8953 | Thread Unwinder Thread Guide for 225398 |
| 225392 | 8953 | “ “ “ “ Rod with 208E and 225393, for 225398..... |
| 225393 | 9888 | Thread Unwinder Thread Guide Rod Washer for 225392..... |
| 225395 | 8953 | Thread Unwinder Spool Rest (for two spools) with 201018c, for 225398..... |
| 225398 | 8953 | Thread Unwinder complete, for four spools, Nos. 201696j, 202490, 225388, 225392 to 225395, four 225391 and three wood screws $\frac{7}{8}$ in. No. 12..... |

**Genuine Singer Needles and their Con-
tainers are marked with the Company's
Trade Mark "SIMANCO."** 1

**Needles in Containers marked
"For Singer Machines"
are not Singer made needles.** 2

**ILLUSTRATIONS OF PARTS
FOR
MACHINE No. 147-35**

PLATE 8901—FULL SIZE

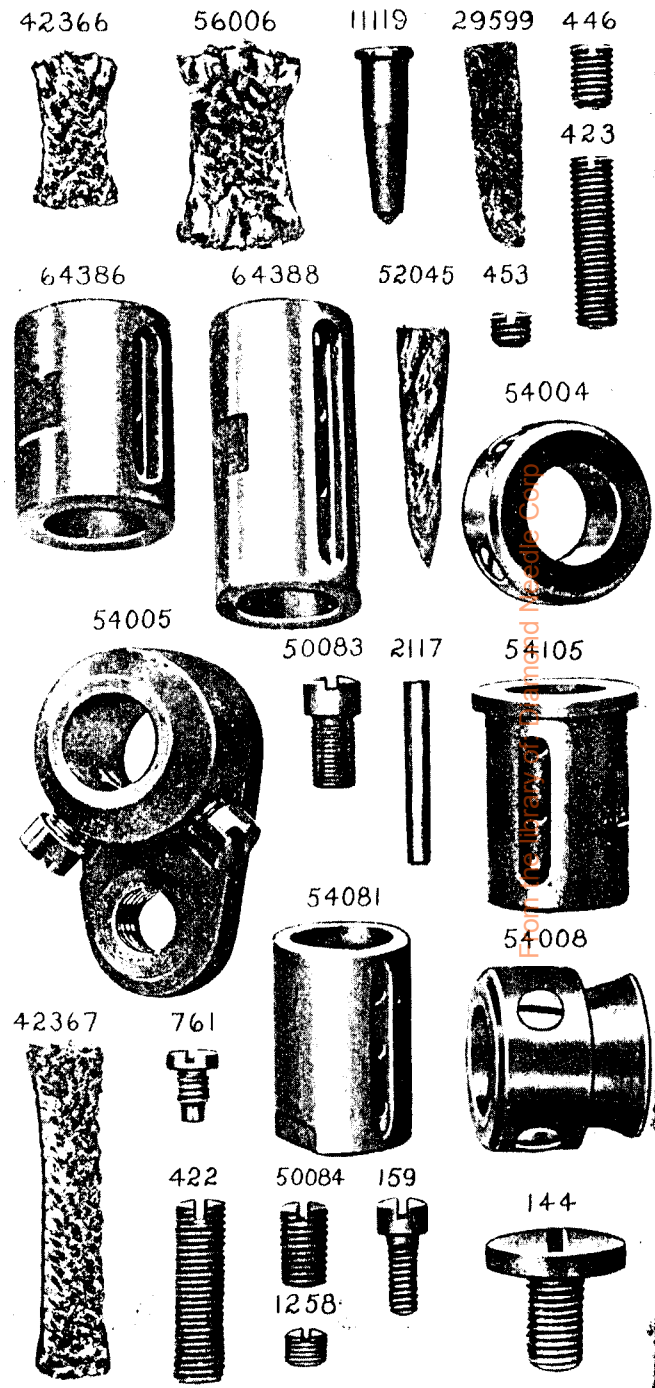
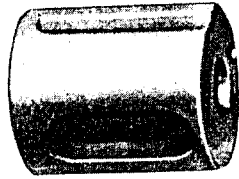


PLATE 8902—ONE-HALF SIZE

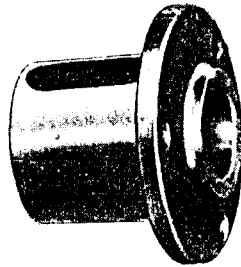
54002



54007



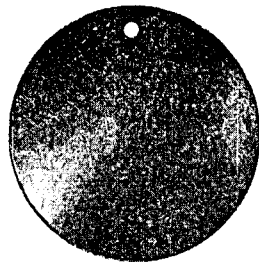
54009



54017 64508 58039



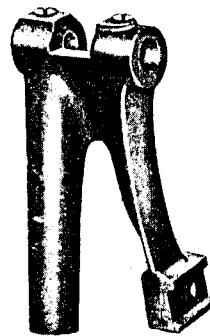
15196



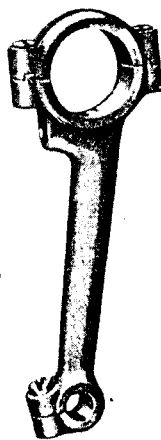
54012



54019



54111



54020

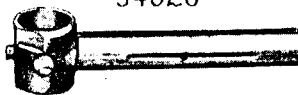


PLATE 8904—FULL SIZE

49013



286



54010



430



50473



1011



38419



725



1235



50069



1516



64268



896



1057



54897



57225



21506



457



54218



6575



443



7071



50429



61171



1103



157



21332



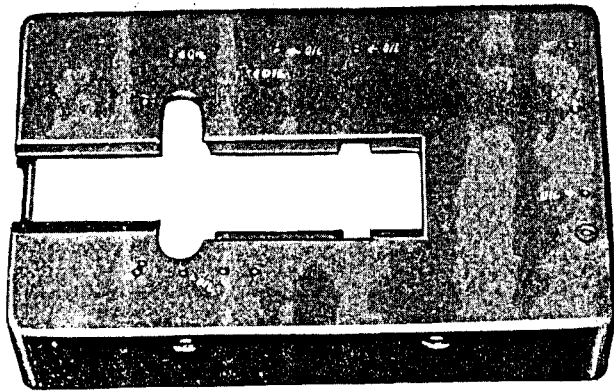
934



from the library of Digital Library of India

PLATE 8938—ONE-FOURTH SIZE

54199



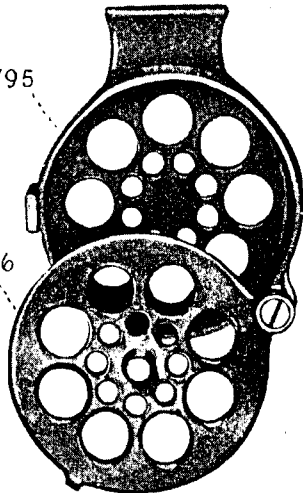
54006



54183



28994



36795

36796

54104

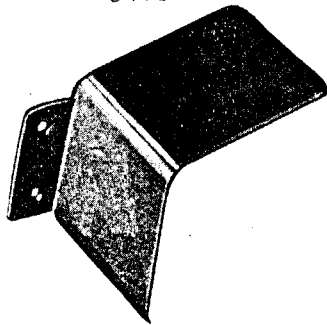
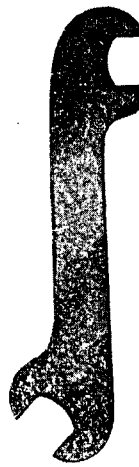


PLATE 8941—ONE-HALF SIZE

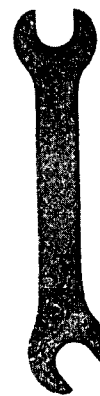
19221



4822



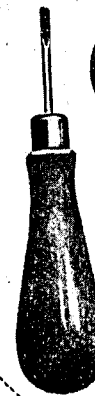
8908



120344



26485



120345

38487



26026



120341



4879



56864



126250



4882

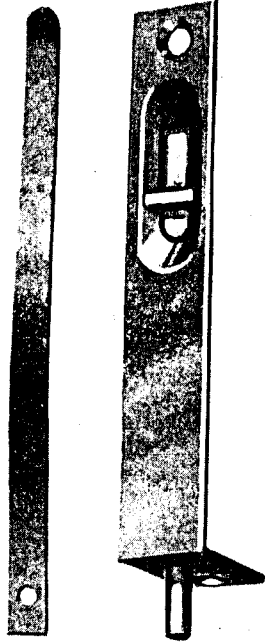


From the library of: Diamond Needle Corp

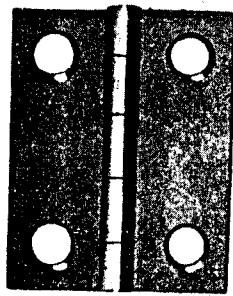
PLATE 8952—FULL SIZE

9370

126247



124500



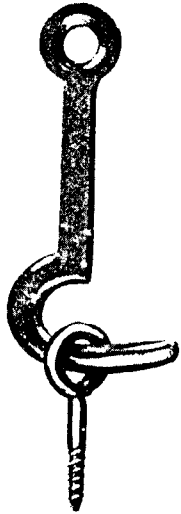
126248



5604



27998



60656

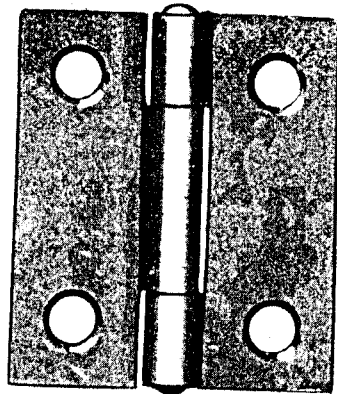
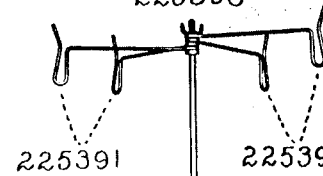


PLATE 8953—ONE-SIXTH SIZE

225398



225391

225391

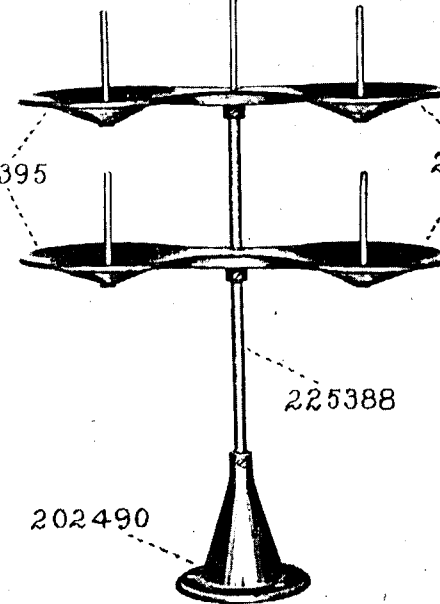
225392

225395

225395

225388

202490



From the library of: Diamond Needle Corp

PLATE 8958—FULL SIZE

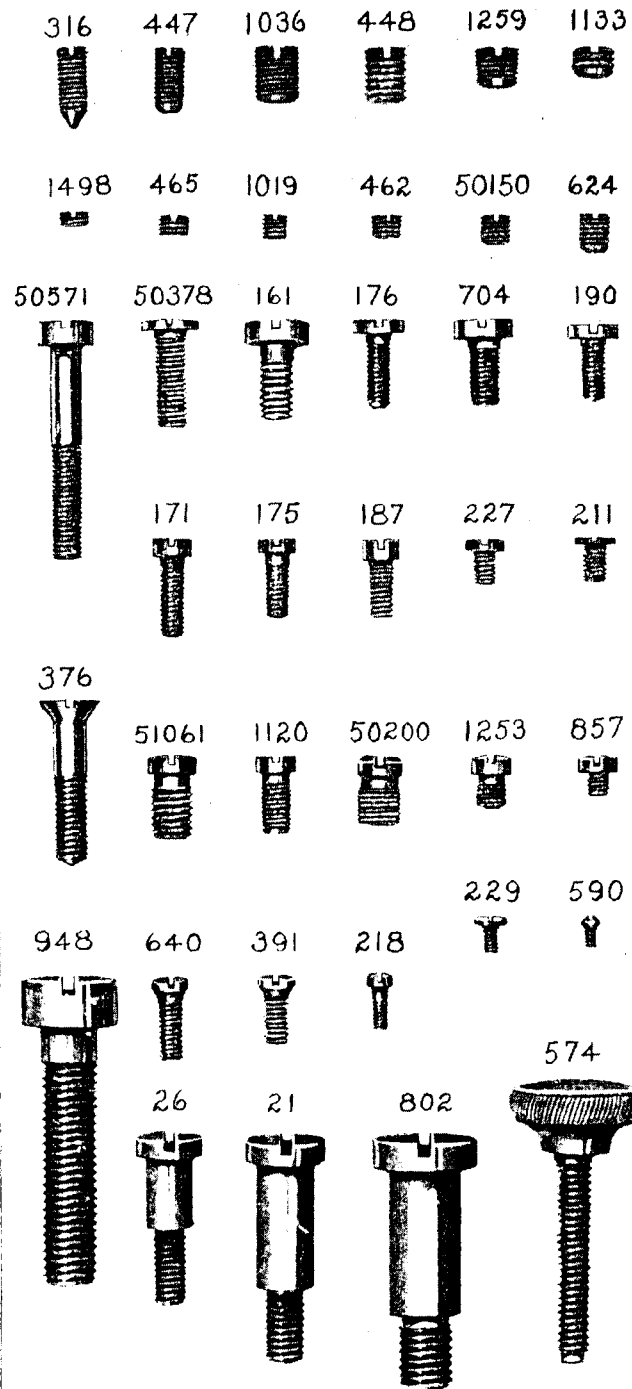


PLATE 8980—ONE-FOURTH SIZE

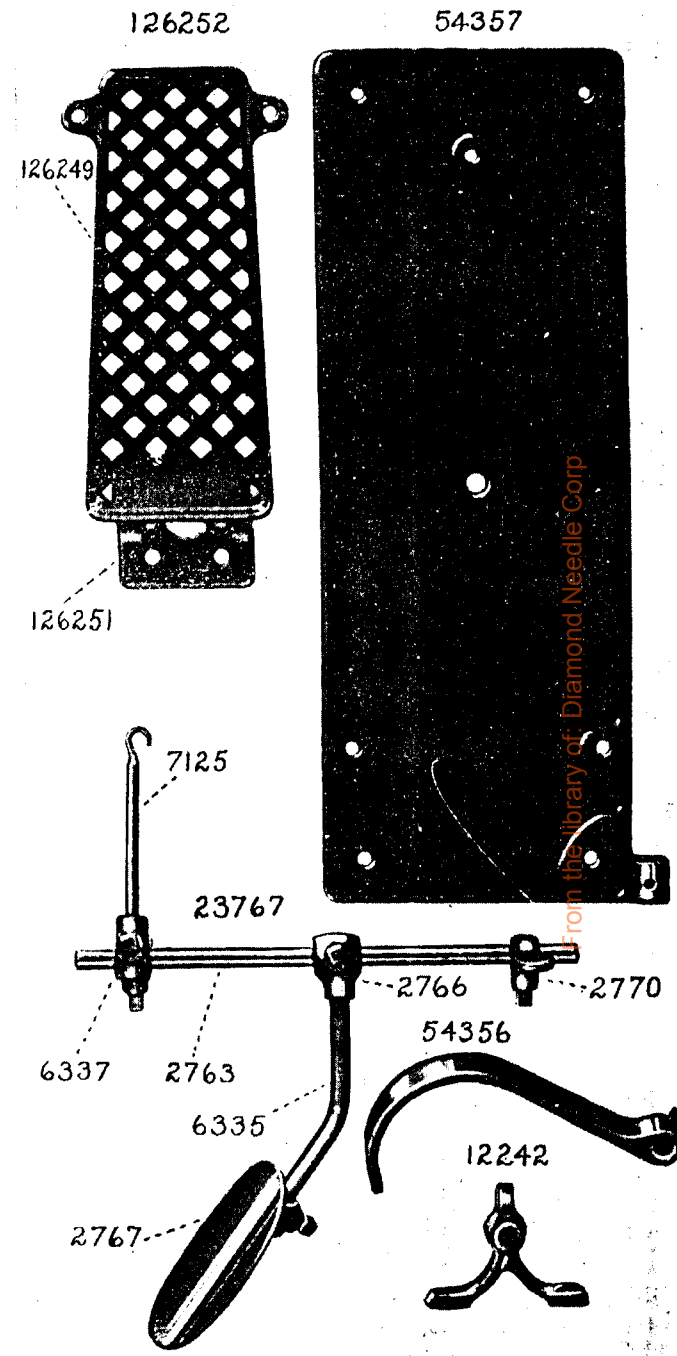


PLATE 8985—FULL SIZE

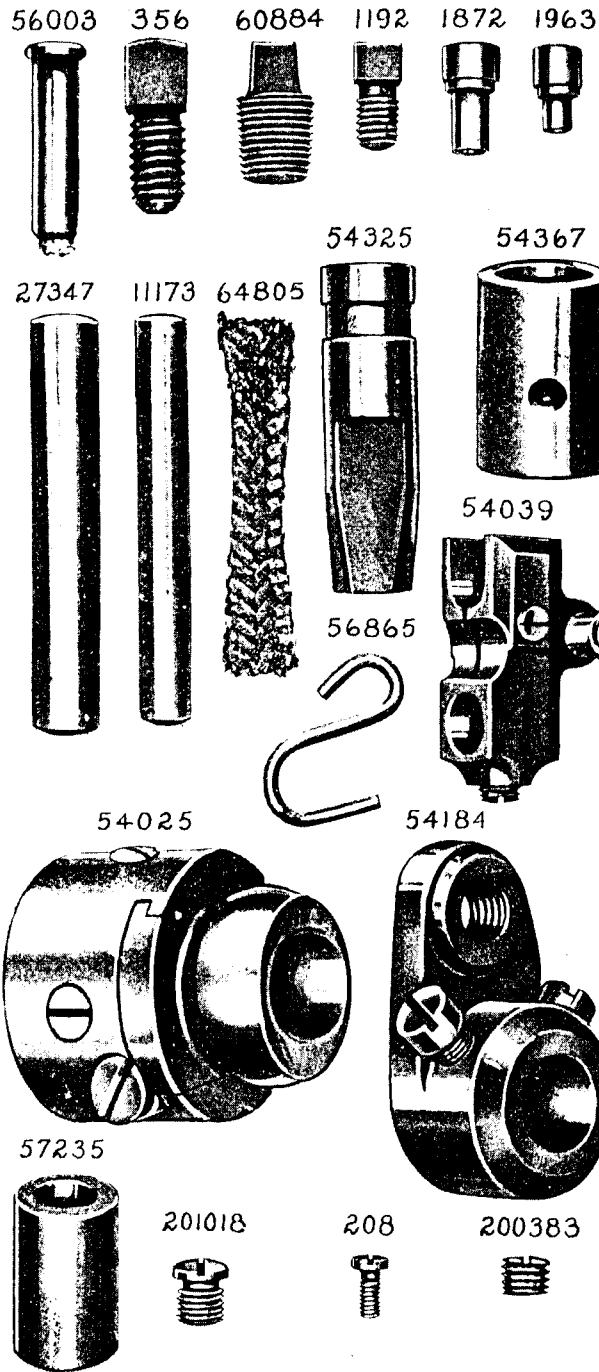
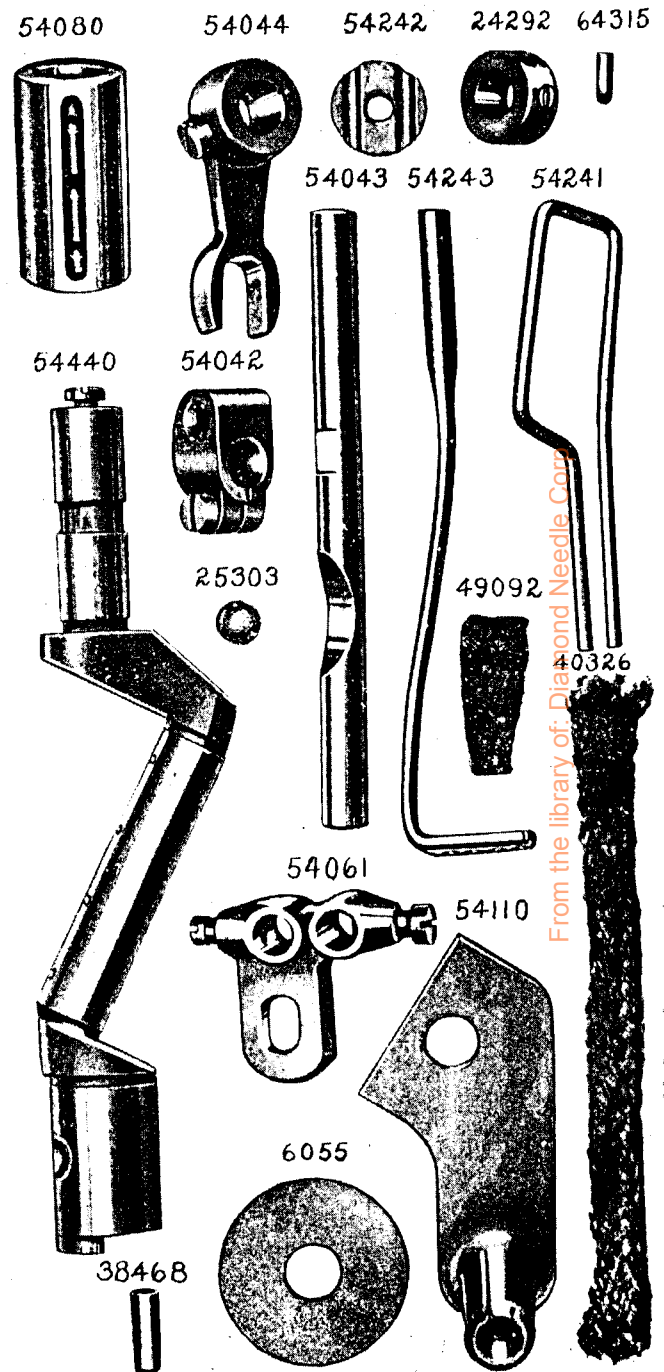


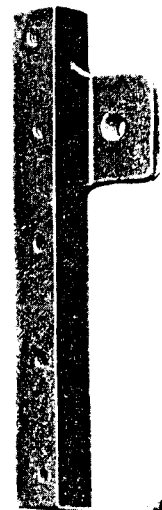
PLATE 8990—FULL SIZE



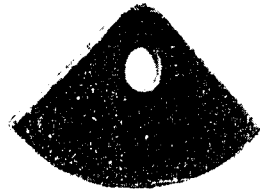
From the library of: Diamond Needle Corp.

PLATE 8996—ONE-HALF SIZE

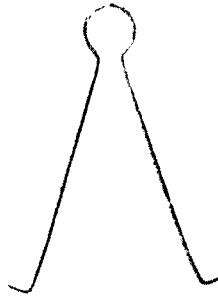
64362 54245 54070 49123



57285



225390



27739

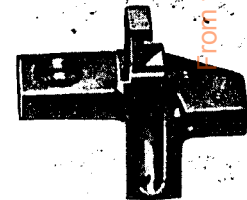


PLATE 9873—ONE-HALF SIZE

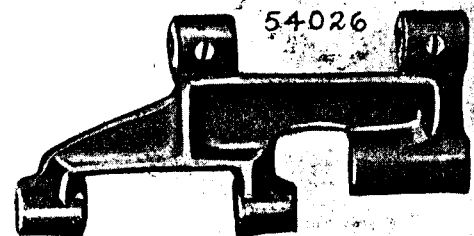
68208 68184 54040 54103 64330



54049



54026



From the library of: Diamond Needle Corp.

PLATE 9879—ONE-FOURTH SIZE

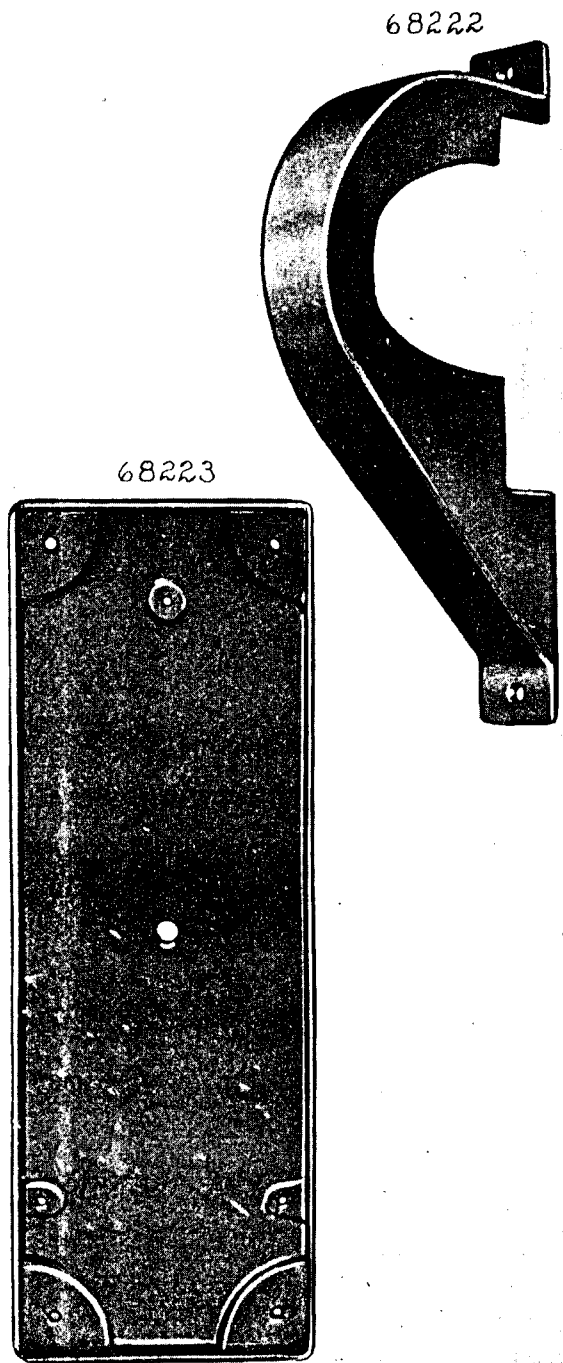


PLATE 9881—FULL SIZE

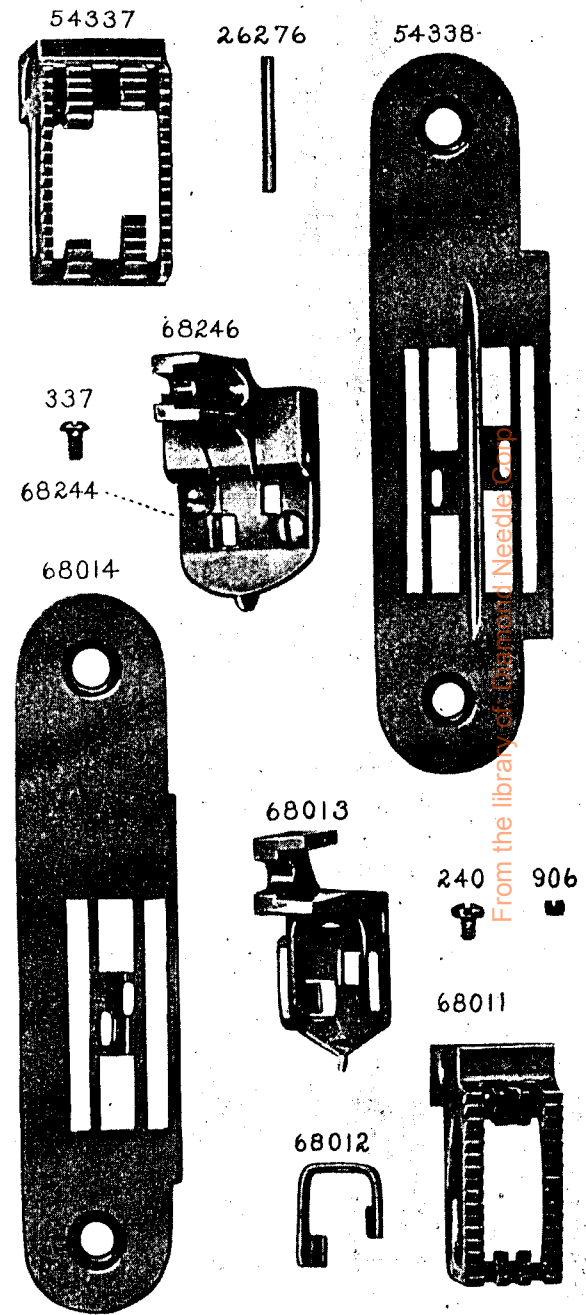


PLATE 9882—FULL SIZE

57234



54023



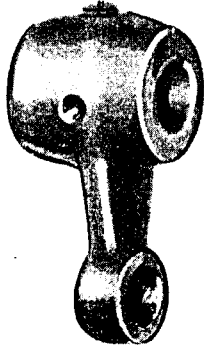
64331



64320



64255



57258



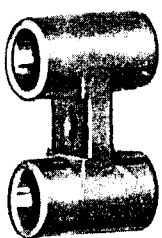
57257



54327



54326



54328



38456

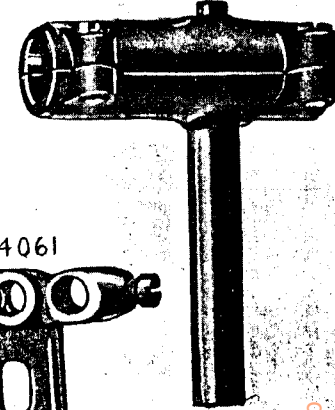


PLATE 9883—FULL SIZE

54228



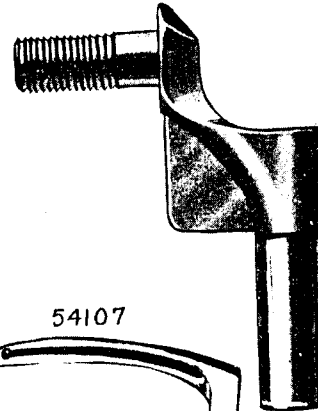
54230



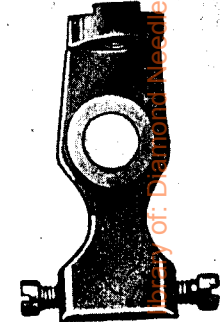
54061



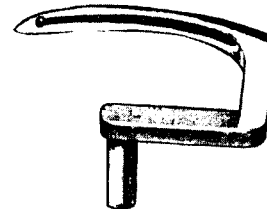
54227



54027



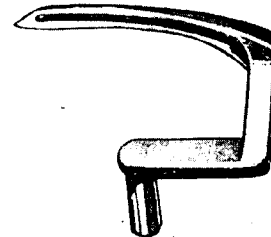
54107



54229



54106



1120



1147



PLATE 9884—FULL SIZE

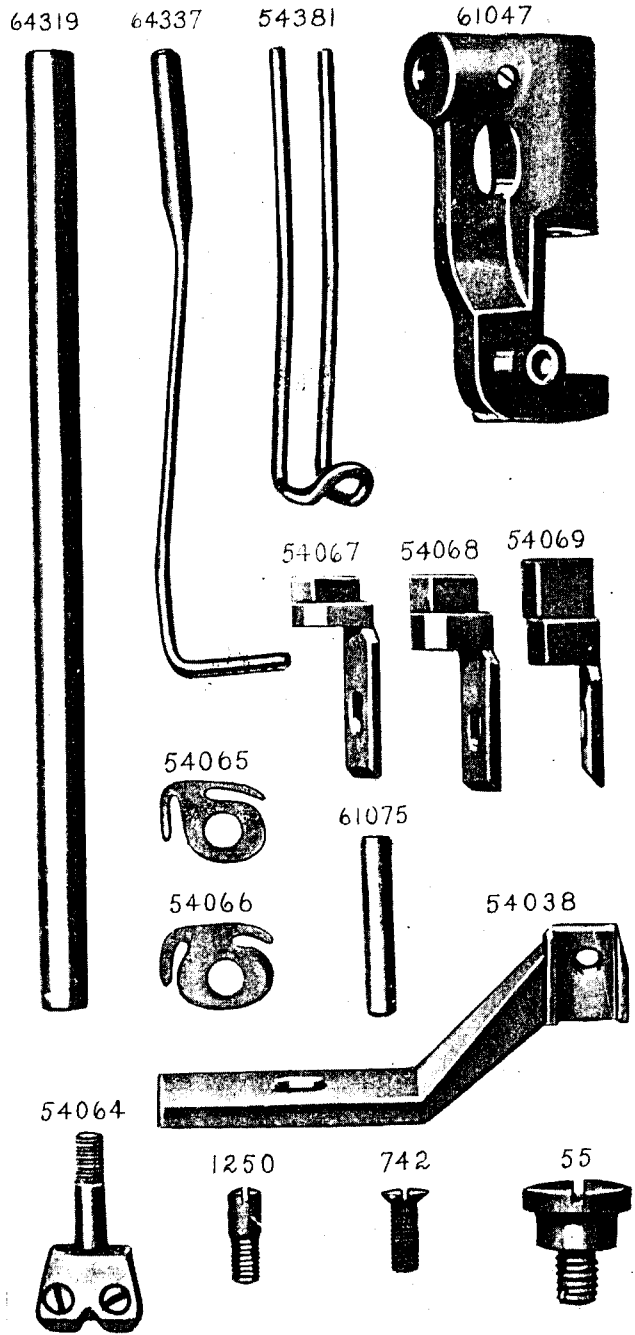
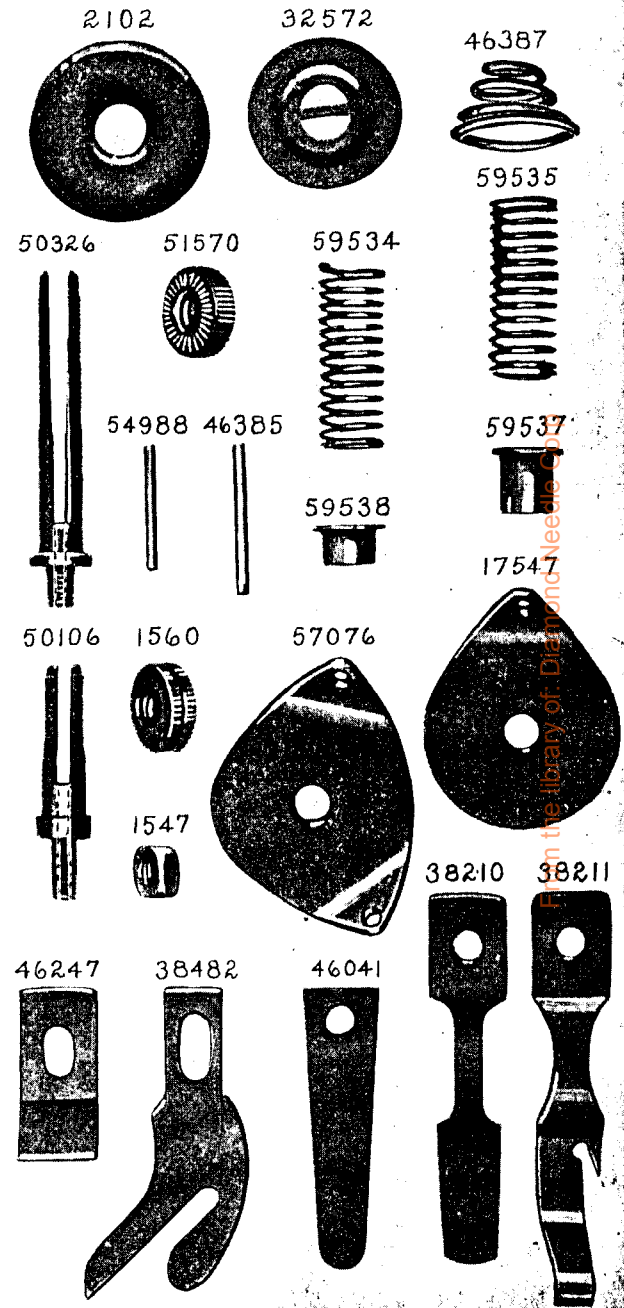


PLATE 9885—FULL SIZE



From the library of Diamond Needle Co.

PLATE 9886—FULL SIZE

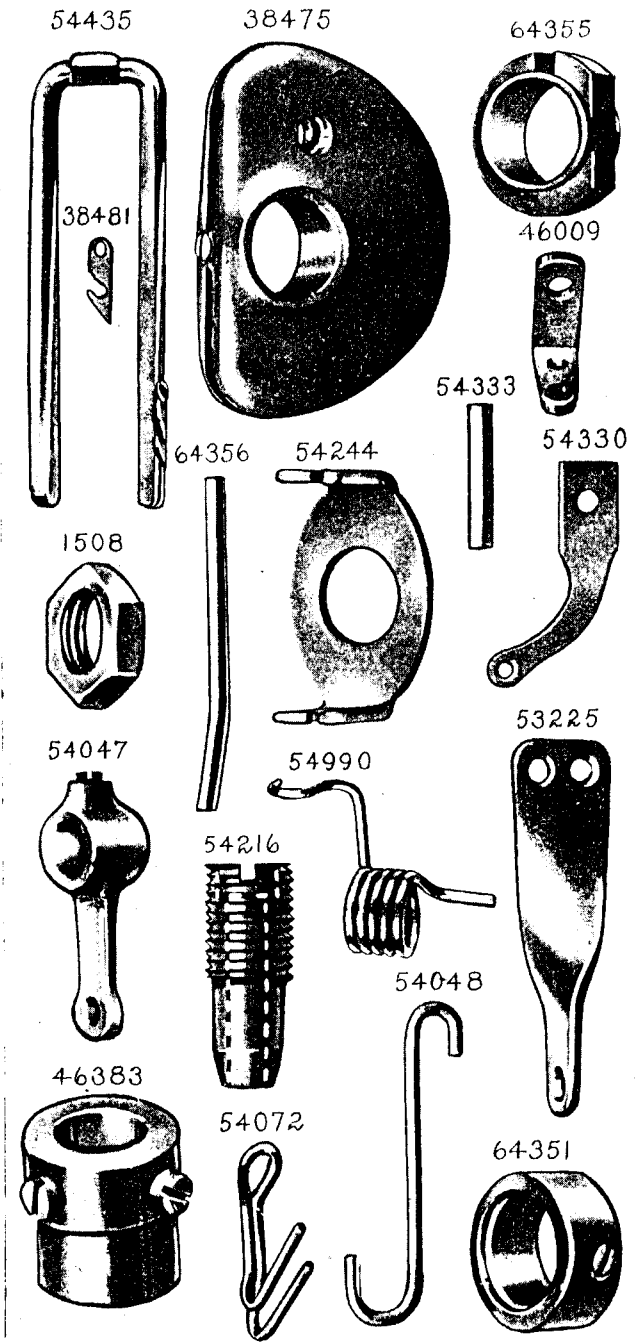
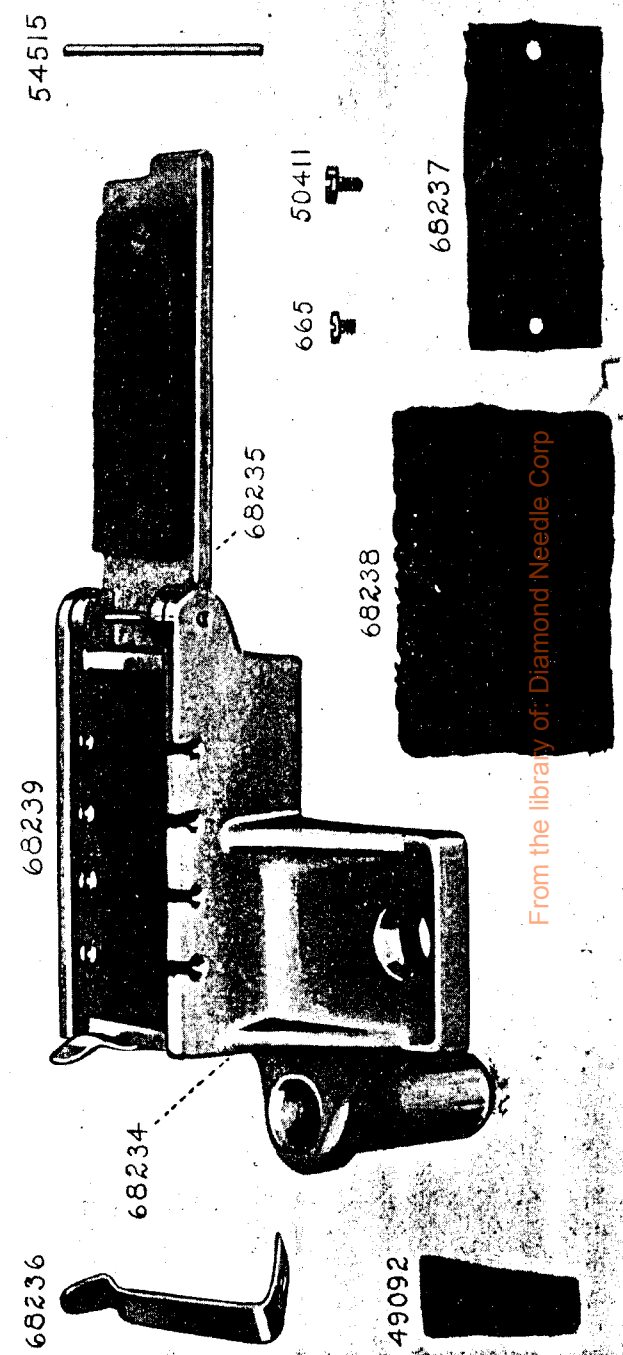


PLATE 9887—FULL SIZE



From the library of: Diamond Needle Corp

PLATE 9888—FULL SIZE

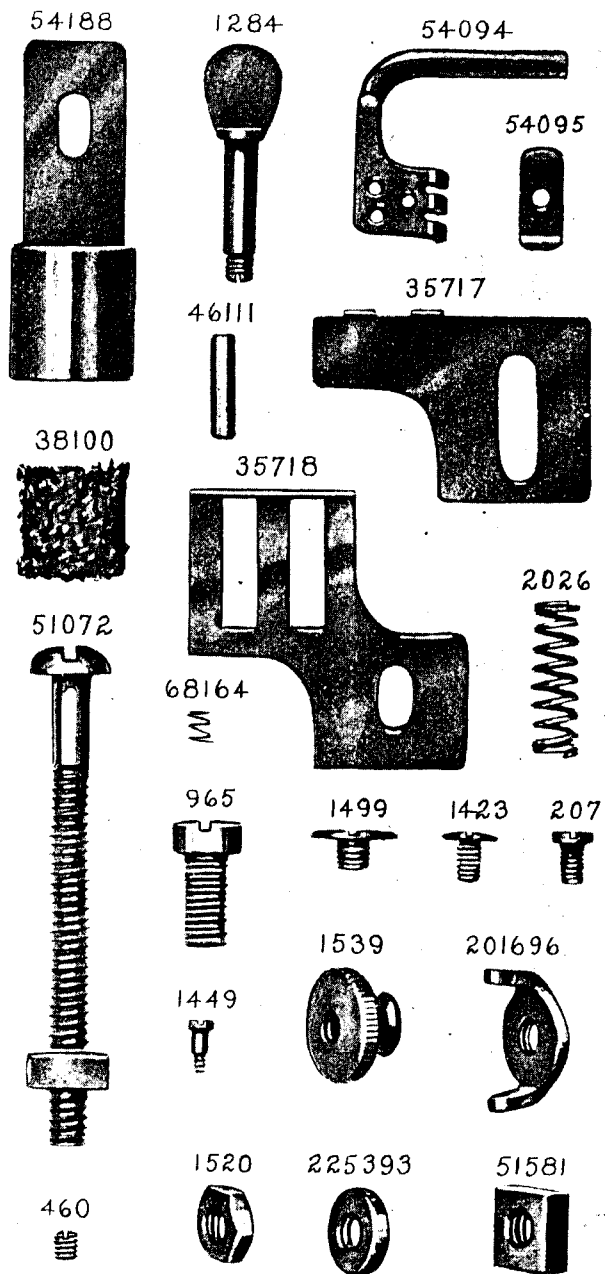
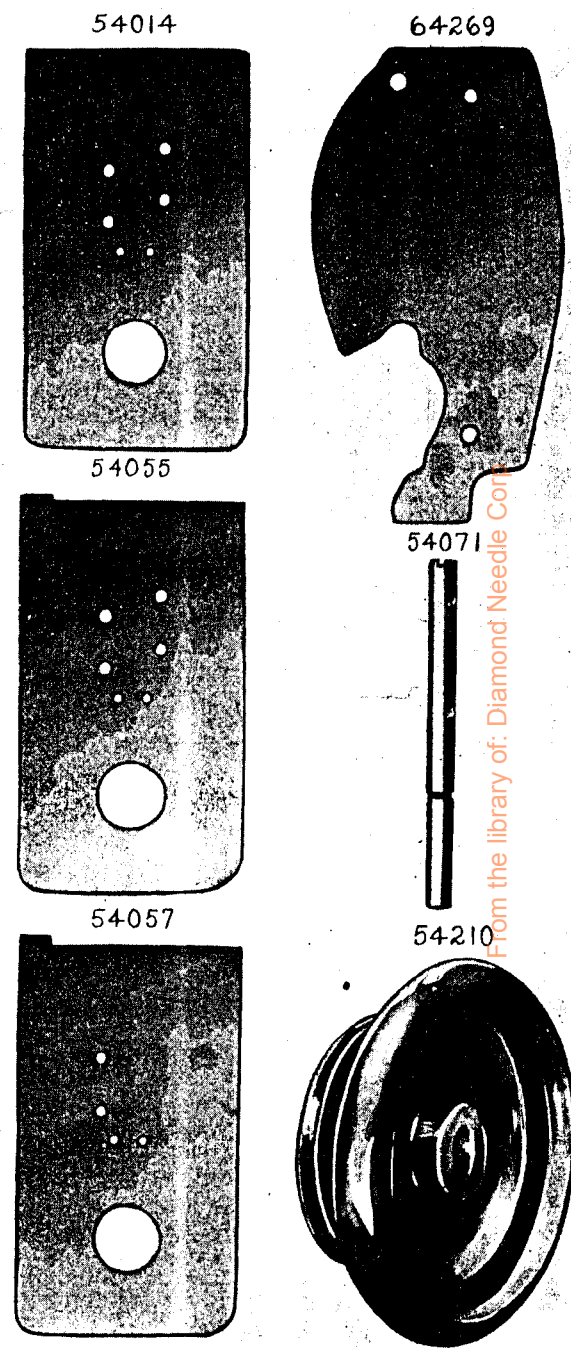


PLATE 9889—ONE-HALF SIZE



From the library of: Diamond Needle Corp